

System description

GARDCO SEAM is a railing system for temporary side protection of standing seam and profiled roofs not accessible to the public up to 20° roof pitch according to DIN EN 13374 Class A and Class B.

Maximale post spacing depending on class

DIN EN 13374 Clas A: max. 2,50 m

DIN EN 13374 Clas B: max. 2,00 m



Installation

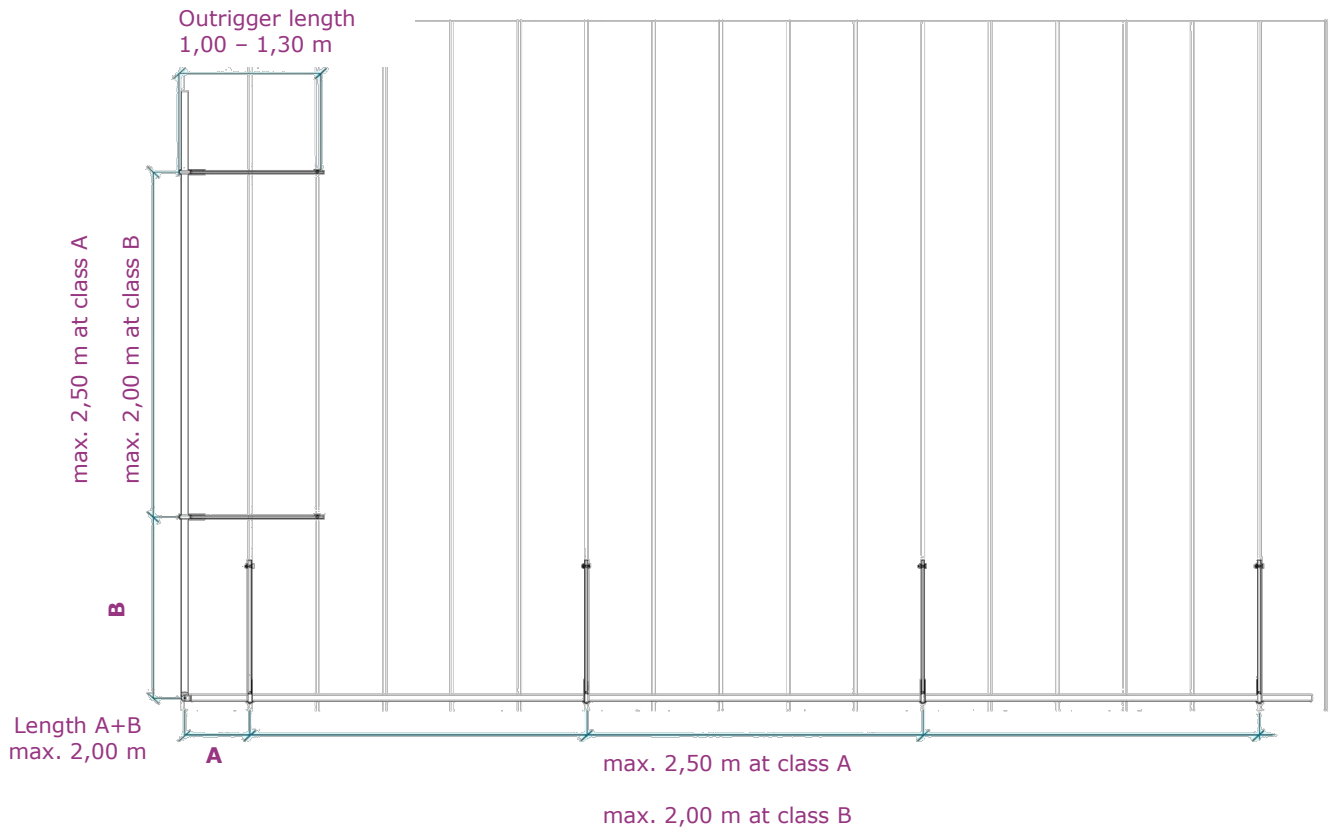
Please read the assembly instructions before installing the railing.

Before installation, check the load-bearing capacity of the roof structure and thus the suitability for collective protection. The dead load of the railing is approx. 0.4 kN/m.

The guardrail must not be supplemented by attachments or claddings that increase the area exposed to wind or represent an additional load input. In areas with aggressive environmental conditions, e.g. in the vicinity of chemical plants or near the coast, additional coating or anodising of the railing parts may be necessary.

Layout

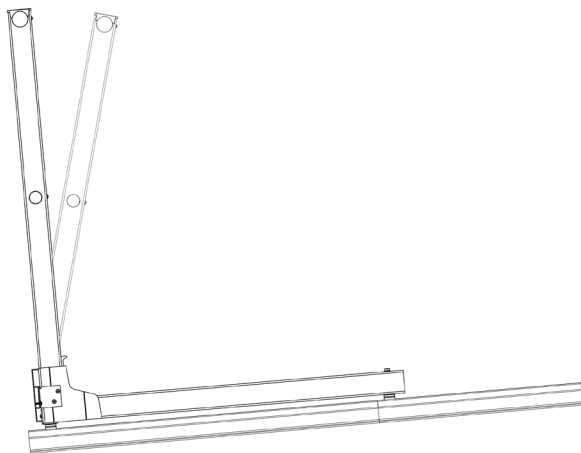
The maximum distance between two posts is 2.50 m according to DIN EN 13374 Class A and 2.00 m according to DIN EN 13374 Class B.



Necessary systems at the eaves depending on the roof inclination

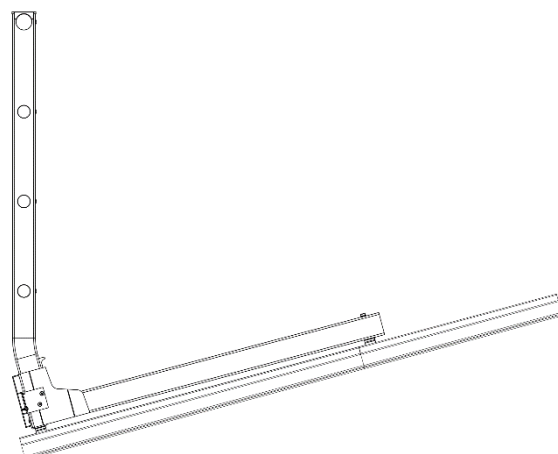
Inclination 0° - 10°

Max. post spacing 2,50 m

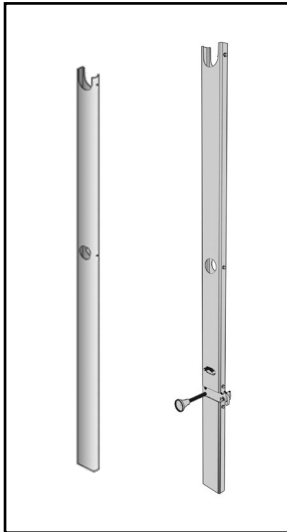


Inclination 10° - 20°

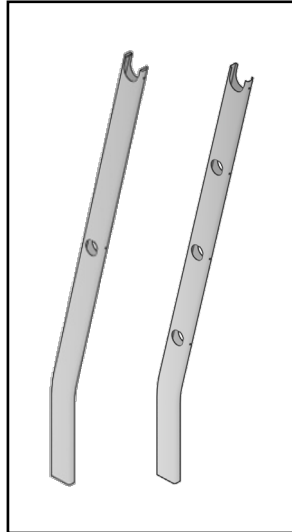
Max. post spacing 2,00 m



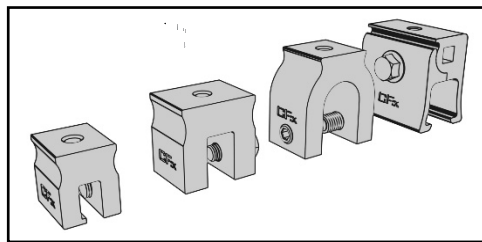
Components



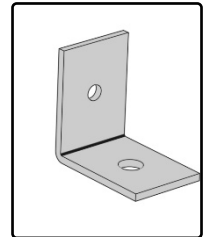
Post H 100 cm
 Post folding



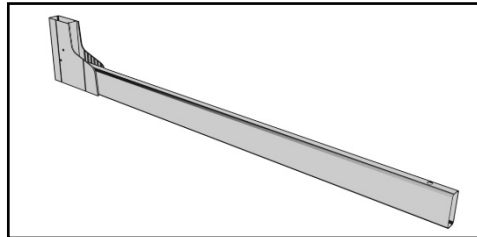
Post 15° inclined
 H 115 cm
 1 or 3 Kneerail



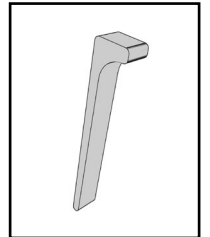
CF:x Clamps



Angle



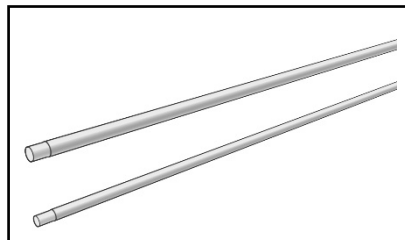
Outrigger



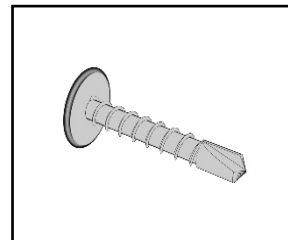
Blocking
 Wedge



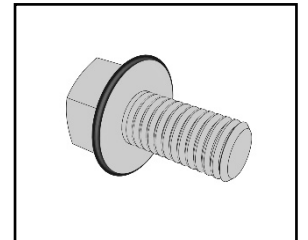
Cap for post



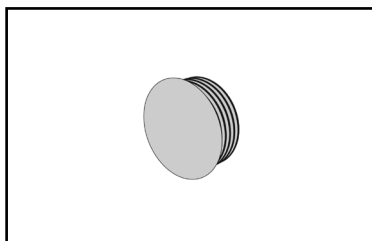
Handrail Ø 45 mm
 Kneerail Ø 35 mm



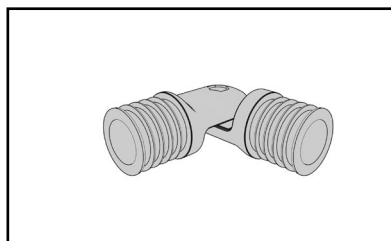
Drilling screw
 4,8x25
 4,8X16



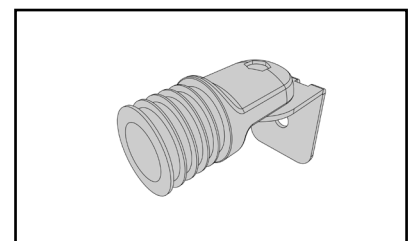
Screw
 M8x16
 M8x80



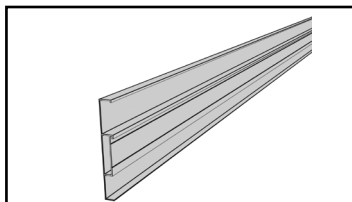
Cap for Tube



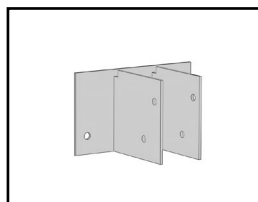
Corner connector



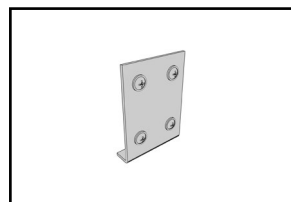
Wall connector



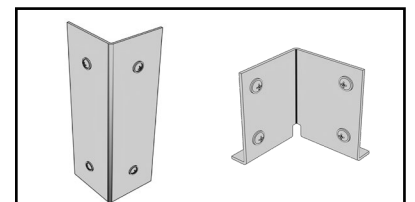
Baseboard 19x150x3000mm



Holder for baseboard

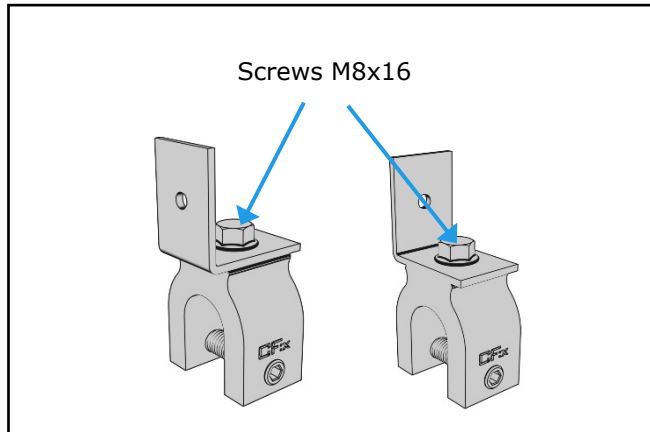


Connector for baseboard

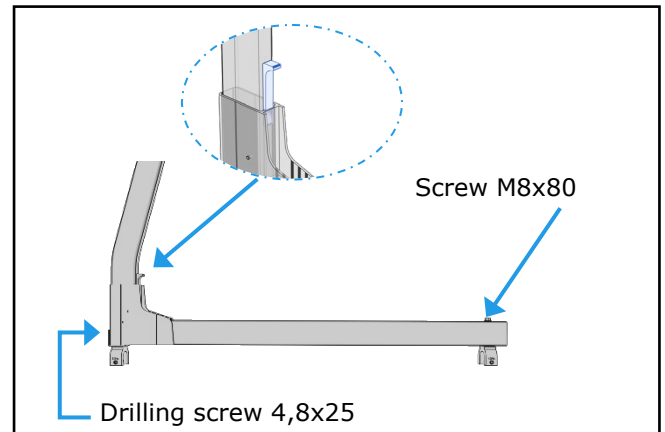


Corner connector for baseboard

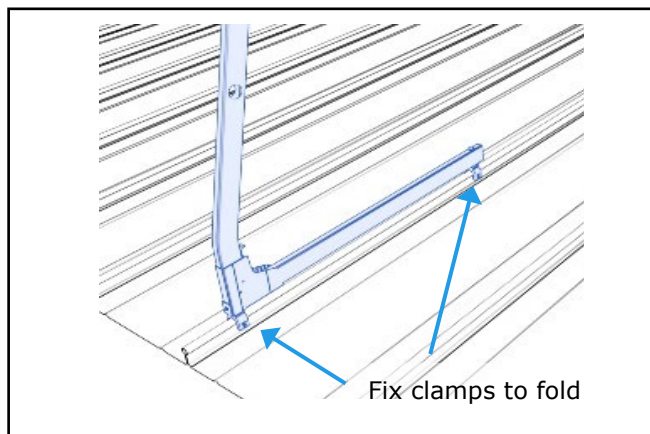
Montage



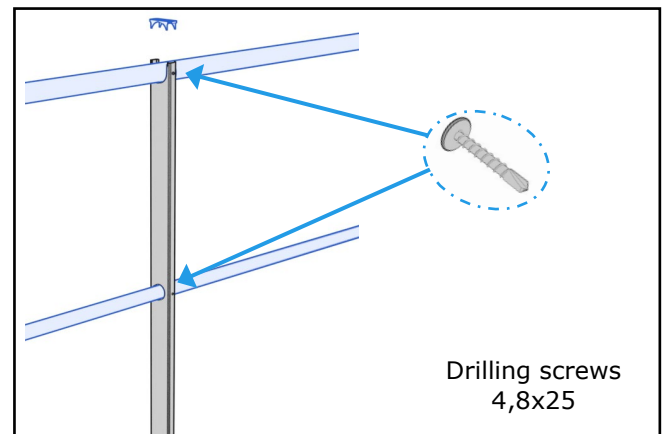
Fit the angle on the clamps, observing the orientation (15 Nm).



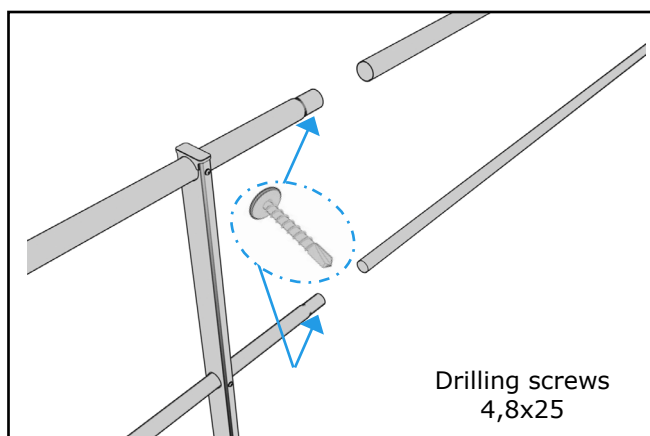
Place the post in the outrigger and carefully secure it with a blocking wedge. Fix the outrigger to the angle clamp with a drilling screws. Fasten the rear end of the outrigger to a clamp without an angle using a screw (M8x80).



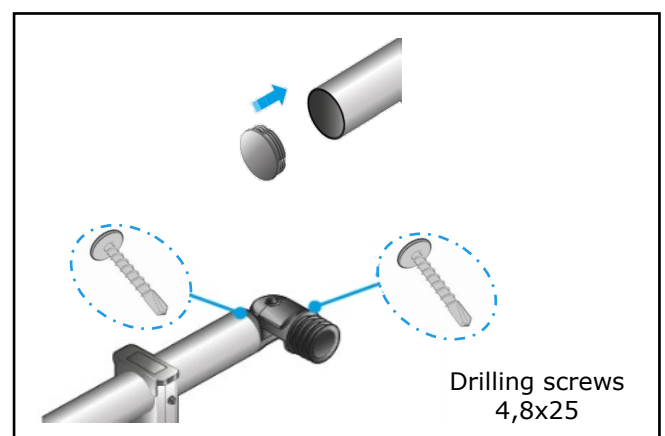
See layout diagram on page 2! Place the pre-mounted outrigger on the fold and fix the clamps in accordance with the assembly instructions.



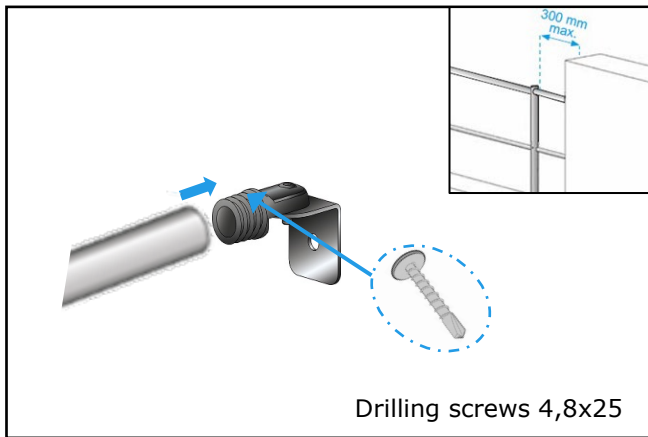
Thread the knee rail and insert the handrail. Put on the cover cap. Fix the knee rail and the handrail with 2 drilling screws.



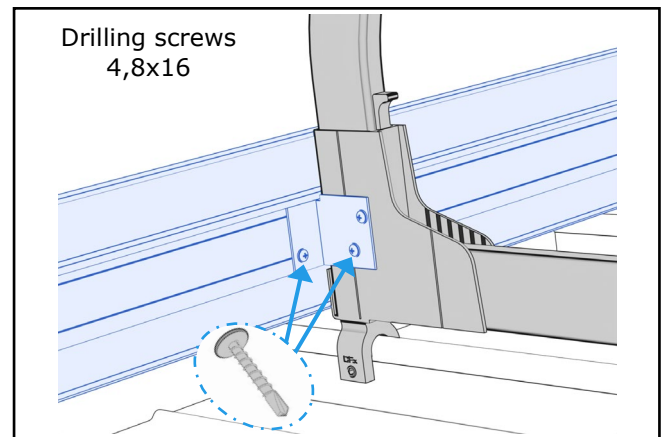
Insert the handrail and the knee rail into each other and fix each with a drilling screw placed diagonally from below.



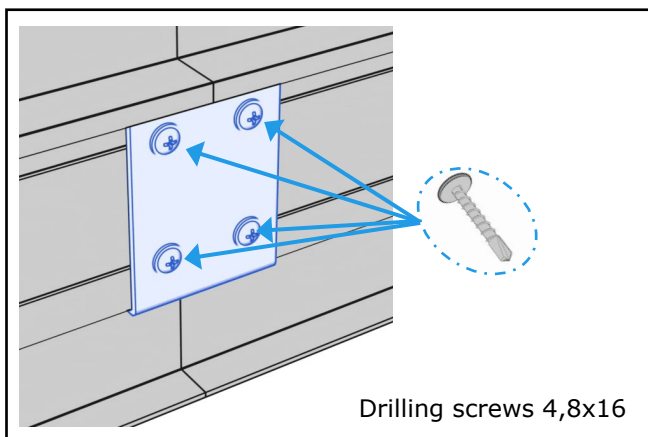
Put on the cover caps at the ends. Insert the hand and knee rails into the flexible corner connectors and secure with drilling screws.



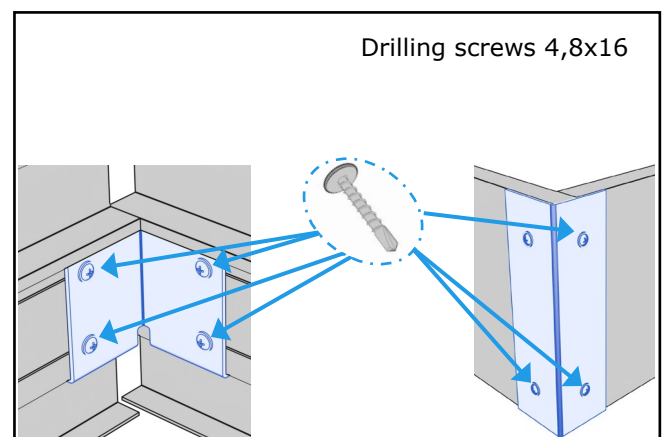
Anchor the wall connection to the wall at a maximum distance of 30 cm from the last post (provided by customer). Insert the hand and knee rails into the wall connection and secure with drilling screws.



Fix the baseboard holder to the holes provided on the baseboard using 2 drilling screws. Attach the baseboard. Fix to the right and left of the post with 2 drilling screws.



Join the baseboard at the joint. Insert the connector and fix in place with 4 drilling screws.



Place the corner connectors on the inside and outside of the corners and fix each with 4 drilling screws.

Storage

The grates are made of aluminium or galvanised steel, the support structure as well as the railing are made of aluminium. When exposed to moisture, the surfaces can oxidise and lose their shine or develop stains. This oxidation does not attack the metal itself, but forms a natural protective layer. The optical changes have no effect on the quality of the components and the maintenance path. We recommend storing the components protected from moisture, dry and ventilated until assembly.

Maintenance

GARDCO SEAM should be inspected at intervals of max. 2 years. Particular attention should be paid to loose or deformed parts and correct positioning. If there is any concern about the functionality of the railing, it should be inspected and, if necessary, serviced before the next time the roof is entered. If individual parts need to be replaced, only undamaged original components should be used.

General safety instructions

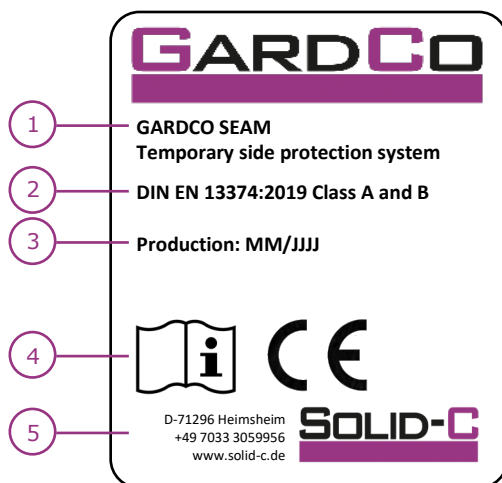
For the duration of the assembly, protection against falling must be provided, e.g. by means of an appropriate scaffold or anchoring devices. It must be ensured that the assembly is only carried out by instructed specialists in compliance with the specifications for carrying out work at appropriate heights.

Only undamaged original parts are to be used for assembly, and no changes may be made to them that impair their function or safety. Should it be necessary to dismantle the railing, this must be carried out in reverse order to the assembly instructions.

After a person has fallen or an object has fallen into the GARDCO railing, as well as after incorrect installation, the railing may only continue to be used if it has been inspected by a competent person and approved in writing for the intended use.

Openings between side guardrail systems and other constructions must be as small as possible, must not exceed 120 mm for guardrail rails and 20 mm for the toe board. The guardrail system must not be used as an anchor device.

Marking



- 1 Product and typ identification
- 2 Standard and classification
- 3 Year of manufacture and serial number
- 4 Note that instructions for use must be observed
- 5 Manufacturer

Disclaimer

The load-bearing capacity of the substrate must be checked by the customer. Solid-C cannot make any statements about this. In addition to these installation instructions, the installing company has to observe the valid regulations and rules of technology. Solid-C GmbH is not liable for the dimensioning instructions contained in commercial offers, since it is generally not possible to agree on all technical framework conditions within the scope of tender submissions. The installation company is responsible for the mechanical durability of the mounted products to the building envelope, especially for their tightness. The components of Solid-C GmbH are designed for this purpose according to the expected loads and the valid state of the art. Solid-C GmbH does not assume any liability for damages caused by improper installation.