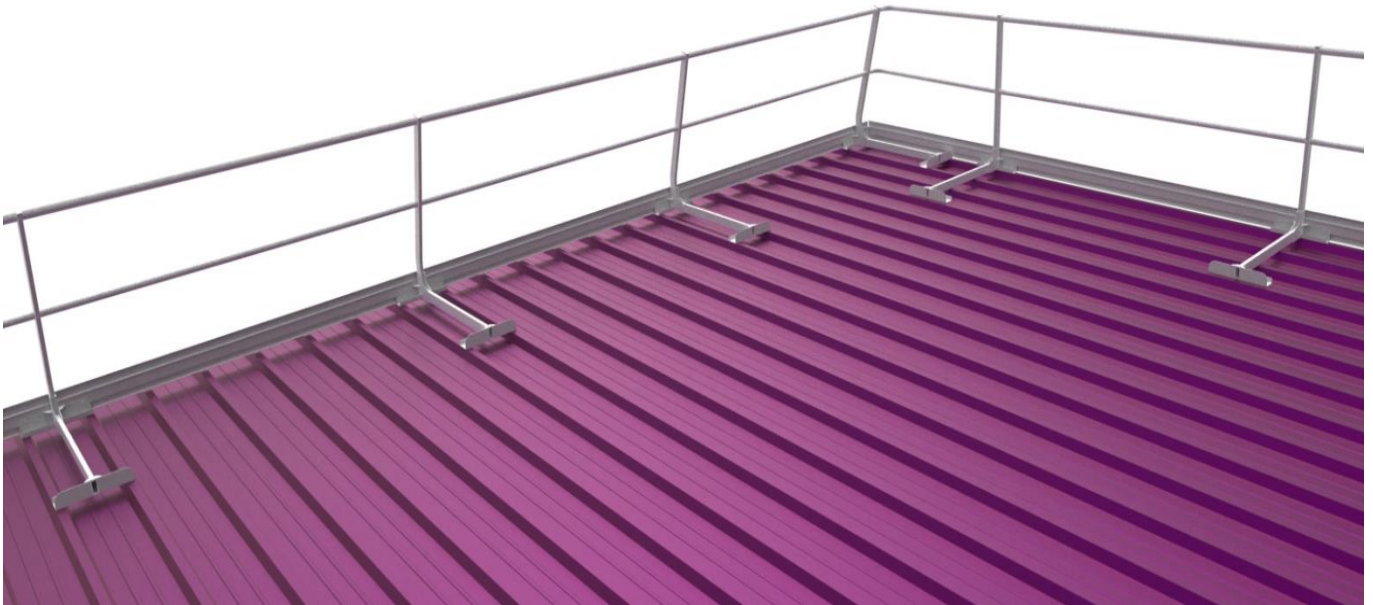


## System description

GARDCO TRAPEZ is a railing system for temporary side protection of trapezoidal and sandwich roofs not accessible to the public up to a roof pitch of 10° in accordance with DIN EN 13374 Class A.



## Installation

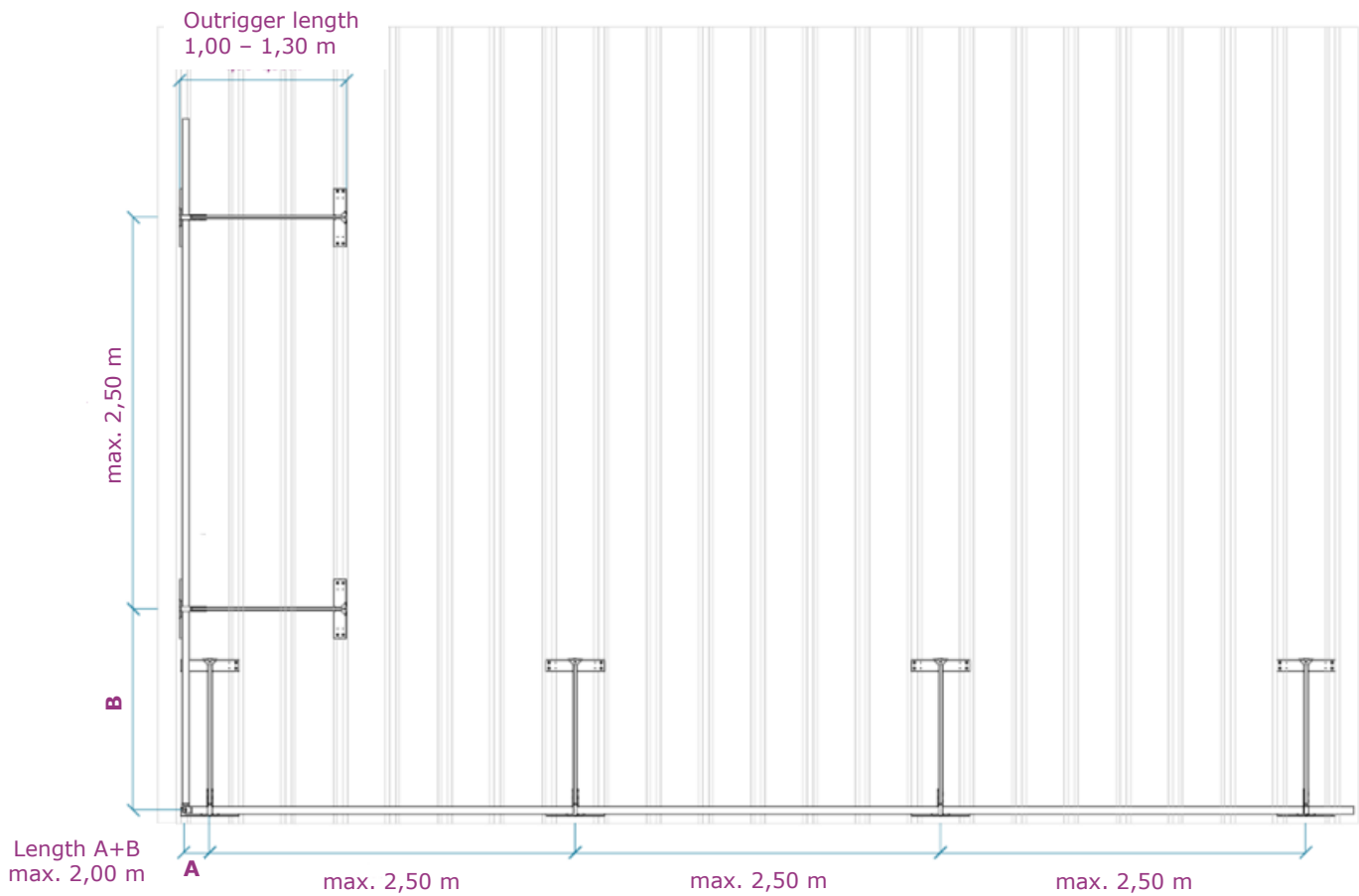
Please read the assembly instructions before installing the railing.

Before installation, check the load-bearing capacity of the roof structure and thus the suitability for collective protection. The dead load of the railing is approx. 0.4 kN/m.

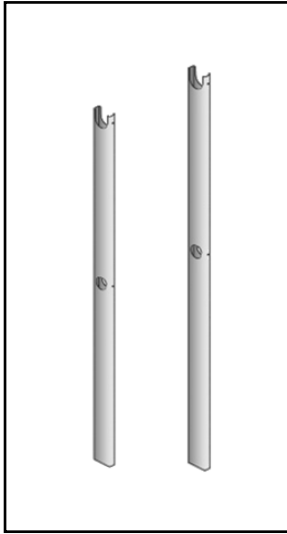
The guardrail must not be supplemented by attachments or claddings that increase the area exposed to wind or represent an additional load input. In areas with aggressive environmental conditions, e.g. in the vicinity of chemical plants or near the coast, additional coating or anodising of the railing parts may be necessary.

## Layout

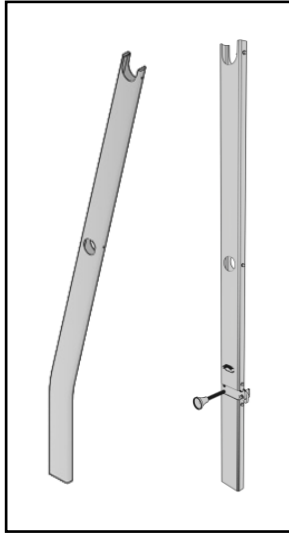
The maximum distance between two posts is 2.50 m according to DIN EN 13374 class A.



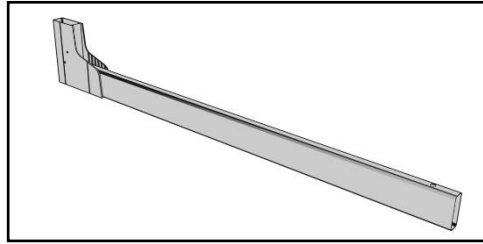
**Components**



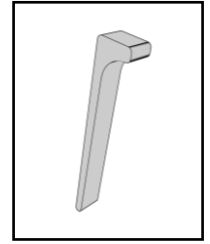
Post  
 H 110 cm and 118cm



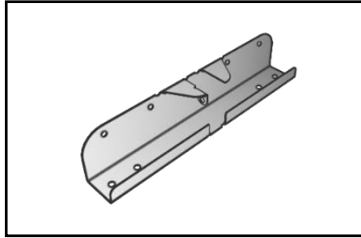
Post 15° inclined  
 Post folding



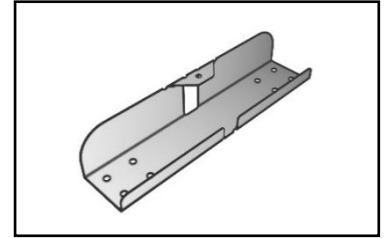
Outrigger



Blocking Wedge



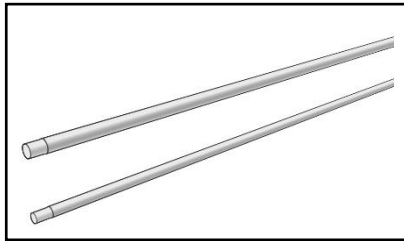
Post holder



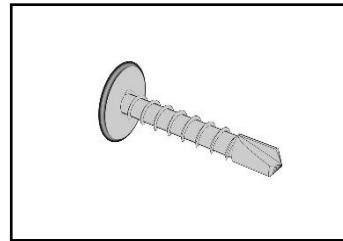
Outrigger holder



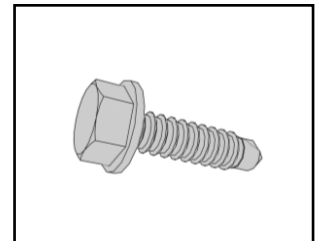
Cup for post



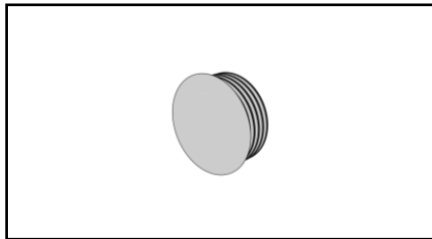
Hand rail Ø 45 mm  
 Knee rail Ø 35 mm



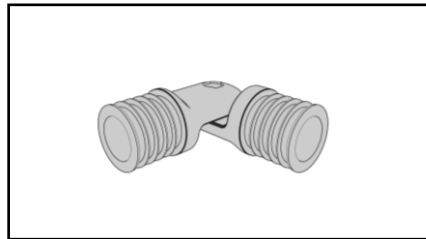
Drilling screw  
 4,8x25  
 4,8X16



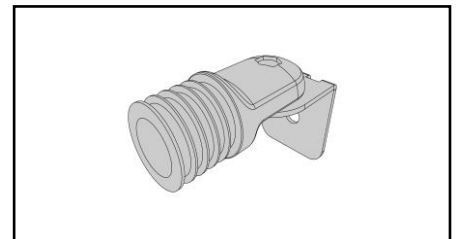
Thin sheet screw  
 6,0x25



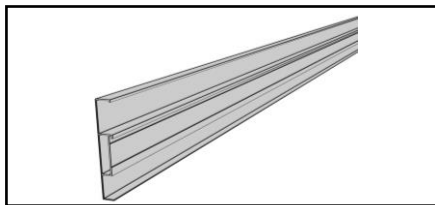
Cup for tube



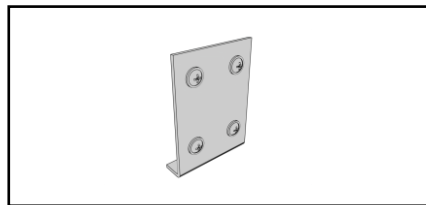
Corner connector



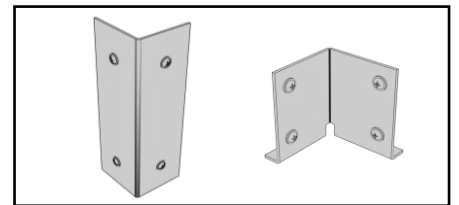
Wall connector



Baseboard 19x150x3000mm

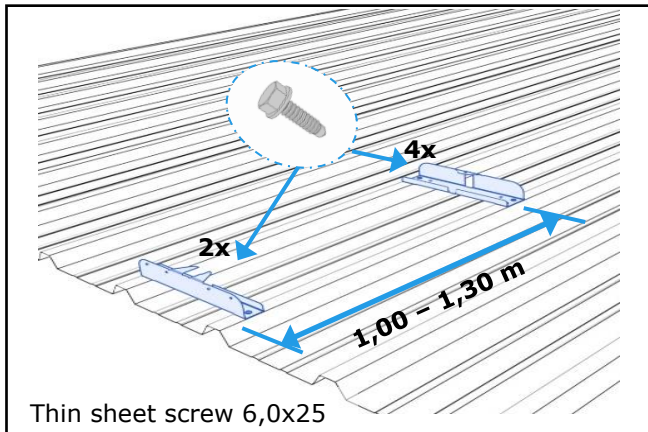


Connector baseboard

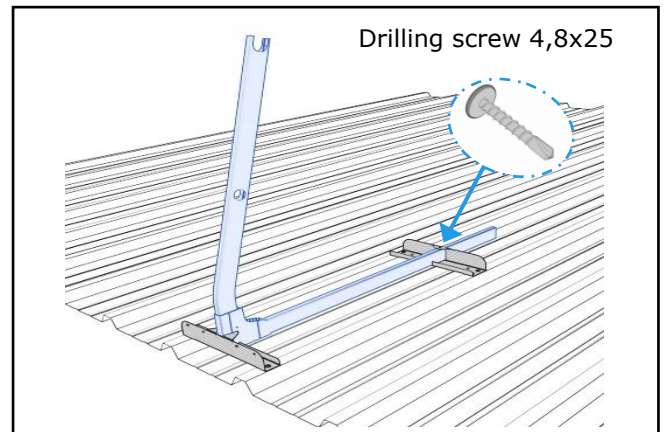


corner connector inside & outside

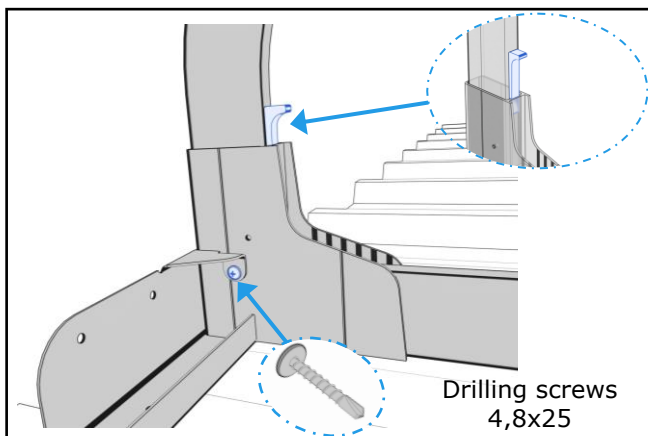
**Montage**



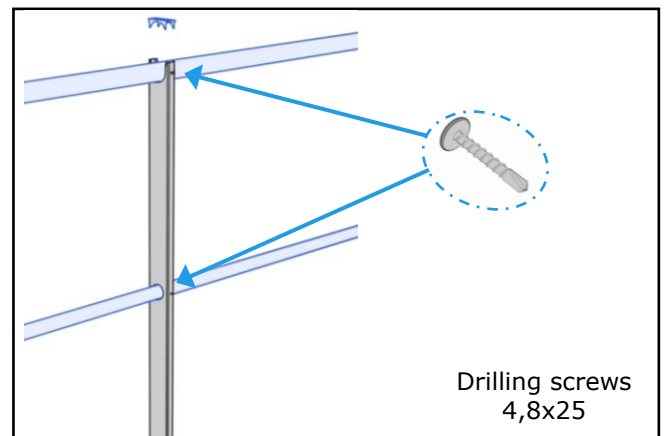
Install the holders on the roofing in accordance with the installation plan. The minimum distance between the holders is 100 cm. See the assembly diagram on page 2!



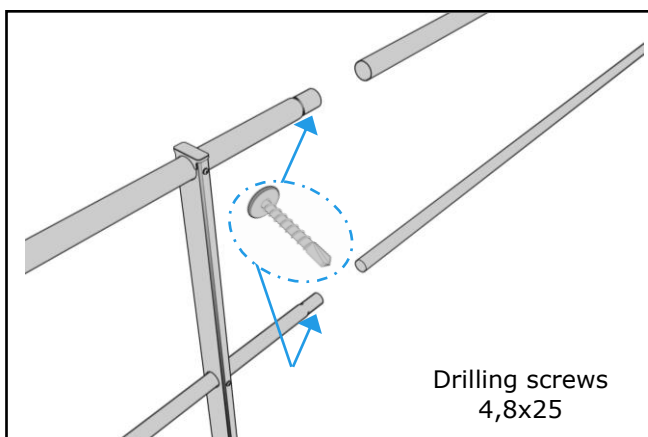
Insert the outrigger into the holders and fasten it to the holder at the rear end with a drilling screw. Place the post in the outrigger.



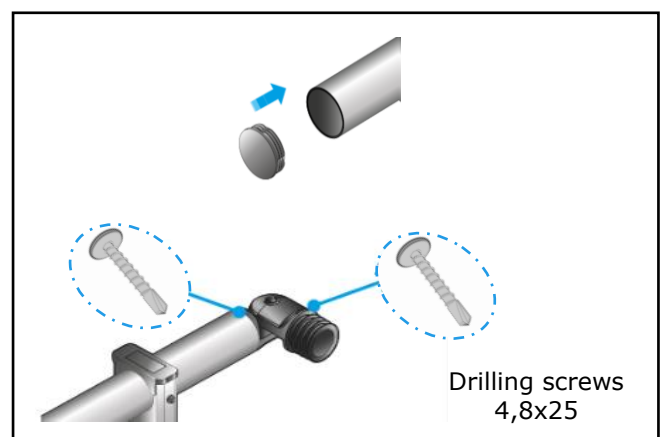
Carefully secure the post with a blocking wedge. Fasten the post holder to the right and left of the post with 2 drilling screws.



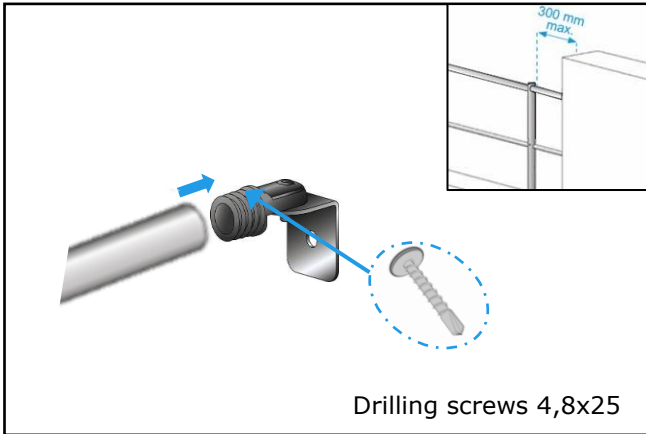
Thread the knee rail and insert the handrail. Put on the cover cap. Fix the knee rail and the handrail with 2 drilling screws.



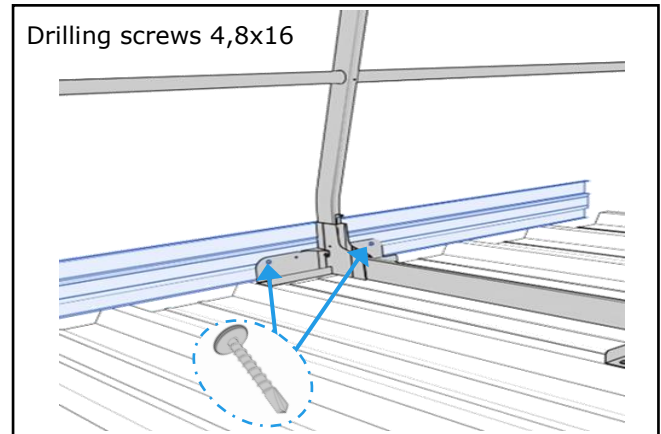
Insert the handrail and the knee rail into each other and fix each with a drilling screw placed diagonally from below.



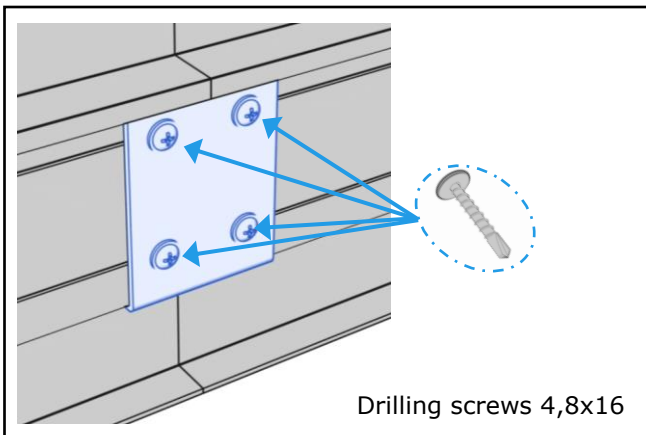
Put on the cover caps at the ends. Insert the hand and knee rails into the flexible corner connectors and secure with drilling screws.



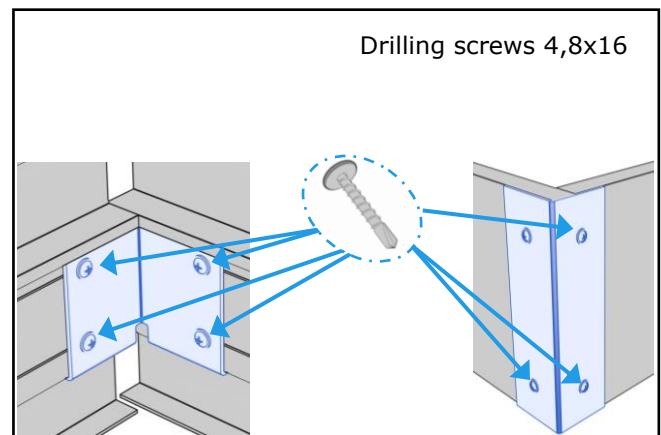
Anchor the wall connection to the wall at a maximum distance of 30 cm from the last post (provided by customer). Insert the hand and knee rails into the wall connection and secure with drilling screws.



Fix the baseboard with a maximum distance of 20 mm to the bead, right and left on the holder with 2 drilling screws each.



Join the baseboard at the joint. Insert the connector and fix in place with 4 drilling screws.



Place the corner connectors on the inside and outside of the corners and fix each with 4 drilling screws.

## Storage

The grates are made of aluminium or galvanised steel, the support structure as well as the railing are made of aluminium. When exposed to moisture, the surfaces can oxidise and lose their shine or develop stains. This oxidation does not attack the metal itself, but forms a natural protective layer. The optical changes have no effect on the quality of the components and the maintenance path. We recommend storing the components protected from moisture, dry and ventilated until assembly.

## Maintenance

GARDCO TRAPEZ should be inspected at intervals of max. 2 years. Particular attention should be paid to loose or deformed parts and correct positioning. If there is any concern about the functionality of the railing, it should be inspected and, if necessary, serviced before the next time the roof is entered. If individual parts need to be replaced, only undamaged original components should be used.

## General safety instructions

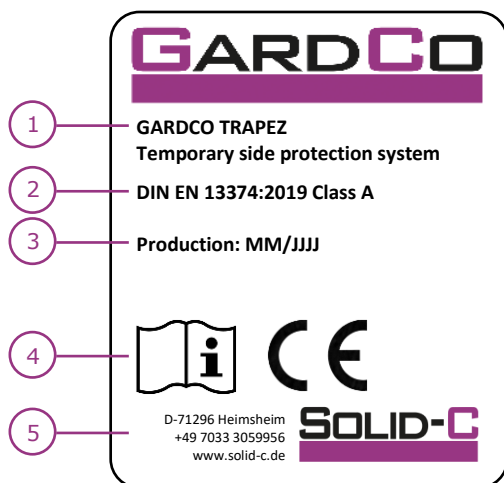
For the duration of the assembly, protection against falling must be provided, e.g. by means of an appropriate scaffold or anchoring devices. It must be ensured that the assembly is only carried out by instructed specialists in compliance with the specifications for carrying out work at appropriate heights.

Only undamaged original parts are to be used for assembly, and no changes may be made to them that impair their function or safety. Should it be necessary to dismantle the railing, this must be carried out in reverse order to the assembly instructions.

After a person has fallen or an object has fallen into the GARDCO railing, as well as after incorrect installation, the railing may only continue to be used if it has been inspected by a competent person and approved in writing for the intended use.

Openings between side guardrail systems and other constructions must be as small as possible, must not exceed 120 mm for guardrail rails and 20 mm for the toe board. The guardrail system must not be used as an anchor device.

## Marking



- 1 Product and typ identification
- 2 Standard and classification
- 3 Year of manufacture and serial number
- 4 Note that instructions for use must be observed
- 5 Manufacturer

## Disclaimer

The load-bearing capacity of the substrate must be checked by the customer. Solid-C cannot make any statements about this. In addition to these installation instructions, the installing company has to observe the valid regulations and rules of technology. Solid-C GmbH is not liable for the dimensioning instructions contained in commercial offers, since it is generally not possible to agree on all technical framework conditions within the scope of tender submissions. The installation company is responsible for the mechanical durability of the mounted products to the building envelope, especially for their tightness. The components of Solid-C GmbH are designed for this purpose according to the expected loads and the valid state of the art. Solid-C GmbH does not assume any liability for damages caused by improper installation.