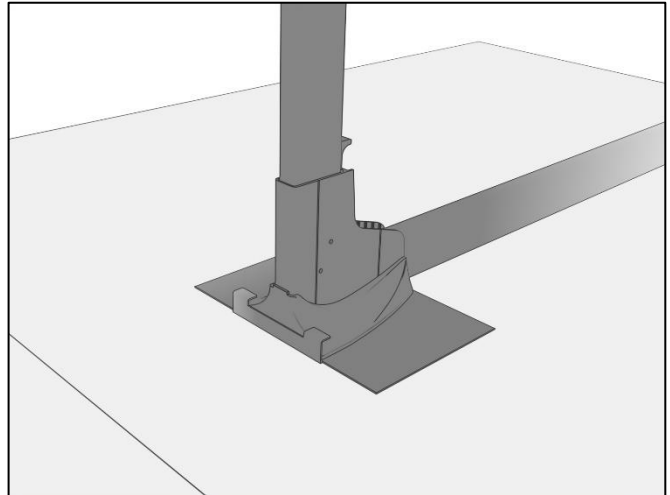
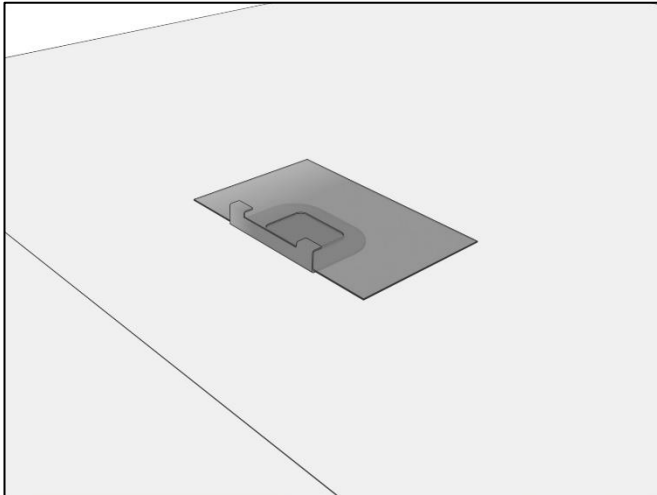


## System description

With the GARDCO shear protection, load-bearing GARDCO AL railings can be used on flat roofs without parapets. The welded-on shear protection serves to secure the position of the railing.



## Montage

The anti-slip device is fixed to the seal with a pad. Care must be taken to ensure that a sufficient connection is made between the waterproofing and the pad, especially in the recess of the thrust-resisting device. The minimum size of the pad is 30 x 30 cm. Ensure compatibility between the pad and the waterproofing membrane. Then place the post of the GARDCO railing in the anti-slip device and assemble the railing system according to the respective assembly instructions. The anti-slip device does not replace the counterweights. It must be ensured that a baseboard is fitted for railings without a parapet.

## Disclaimer

The load-bearing capacity of the substrate must be checked by the customer. Solid-C cannot make any statements about this. In addition to these installation instructions, the installing company has to observe the valid regulations and rules of technology. Solid-C GmbH is not liable for the dimensioning instructions contained in commercial offers, since it is generally not possible to agree on all technical framework conditions within the scope of tender submissions. The installation company is responsible for the mechanical durability of the mounted products to the building envelope, especially for their tightness. The components of Solid-C GmbH are designed for this purpose according to the expected loads and the valid state of the art. Solid-C GmbH does not assume any liability for damages caused by improper installation.