

System description

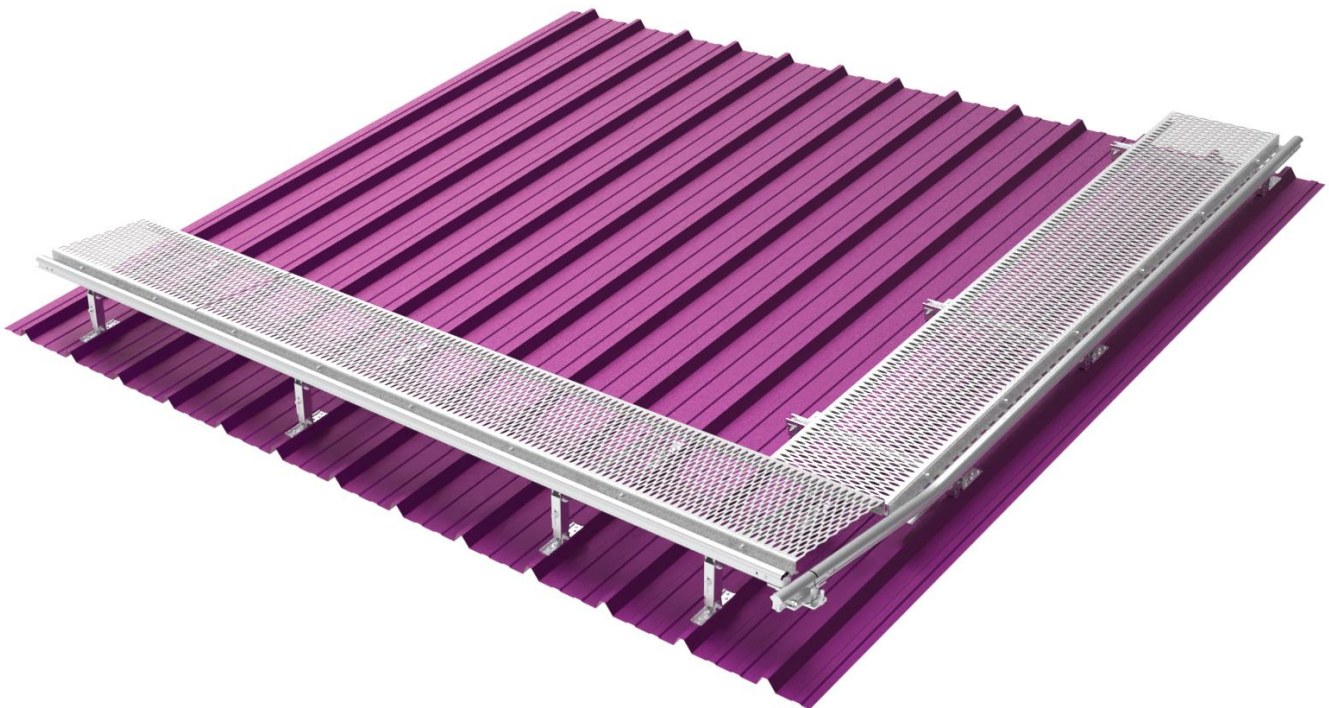
ROOFWALK SAFE TRAPEZ is a walkway for maintenance and inspection purposes with movable anchorage device on metal roofs with trapezoidal or sandwich coverings. The system is tested according to EN 516:2006, class 1 and 2, type C and EN 795:2012, type D. The anchorage device is permissible for the suspension of personal protective equipment for protection against falls from a height by one person per anchorage point. If there are several persons on the maintenance walkway, a minimum distance of 2.5 m applies.

Possible product version

ROOFWALK SAFE TRAPEZ 500 Z, Width of grating 500 mm, galvanized

ROOFWALK SAFE TRAPEZ 600 Z, Width of grating 600 mm, galvanized

ROOFWALK SAFE TRAPEZ 500 A, Width of grating 500 mm, aluminium



Installation

Please read through the installation instructions before installing the walkway.

Before installation, check the load-bearing capacity of the roof structure and suitability for installation.

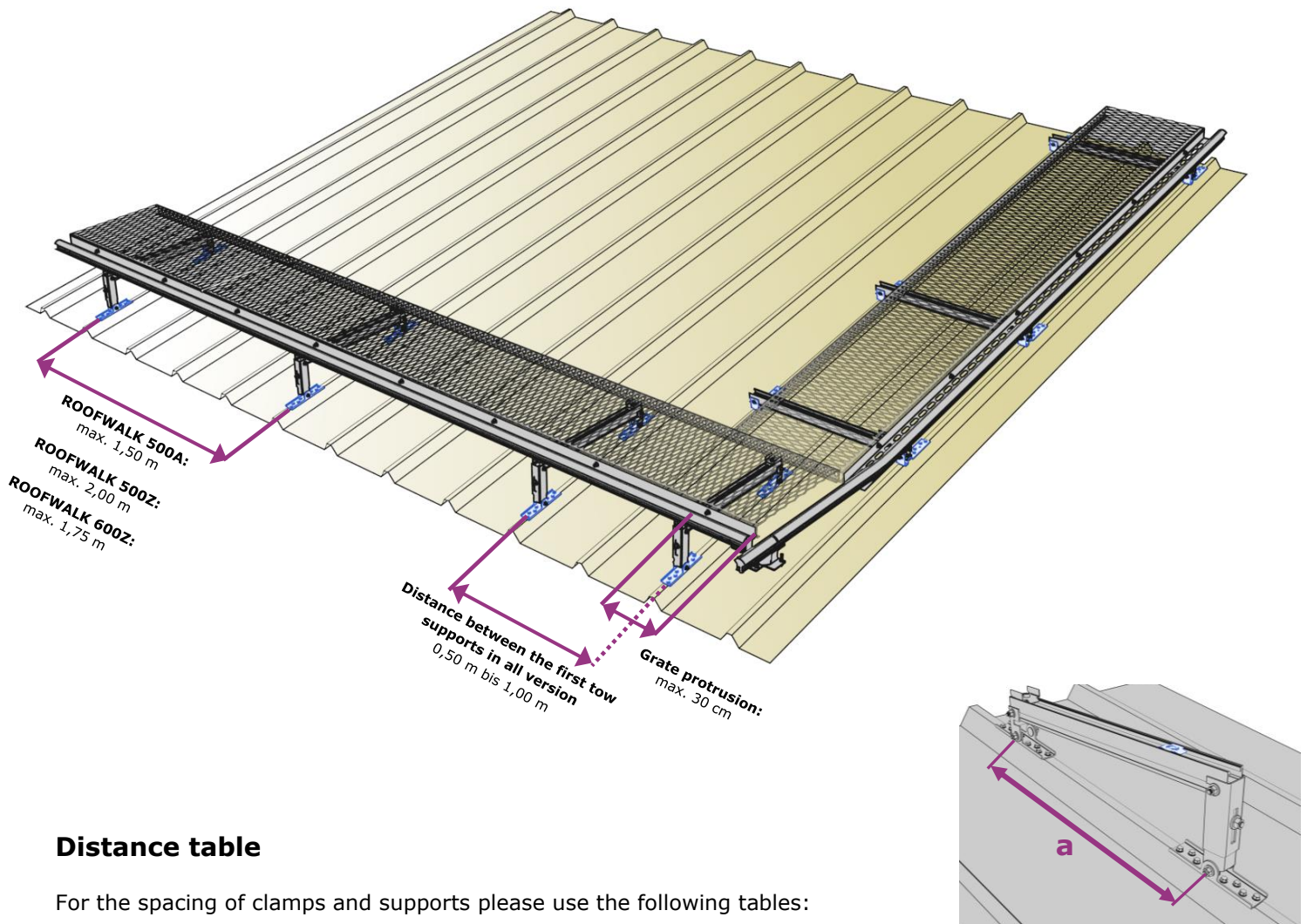
The dead load of the walkway system is 0.25 kN/m, the rated load for access according to DIN EN 516 is 1.5 kN.

ROOFWALK SAFE TRAPEZ must be installed with tread strips on paths from the eaves to the ridge from a roof pitch of more than 1:5 (approx. 11°). The installation must be carried out in such a way that the safety equipment and devices are not damaged by sharp edges or similar.

In areas with aggressive environmental conditions, e.g. in chemical plants or near the coast, an additional coating or anodising of the aluminium parts and/or a stainless steel grating may be necessary.

Layout

Please note your installation plan!

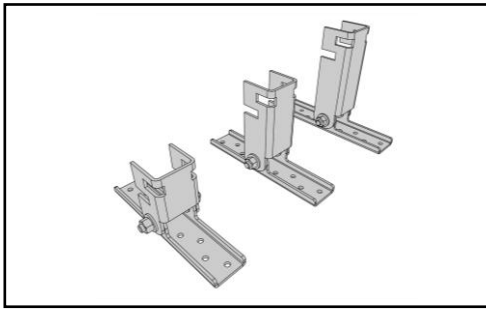


Distance table

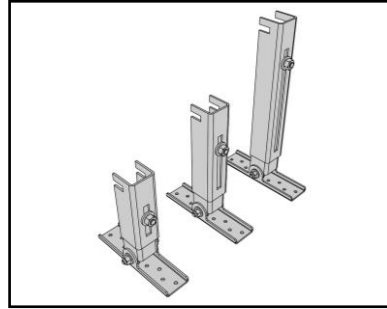
For the spacing of clamps and supports please use the following tables:

ROOFWALK SAFE TRAPEZ 500 Z / A				ROOFWALK SAFE TRAPEZ 600 Z			
Roof pitch	a = Holder distance	Supports 1	Supports 2	Roof pitch	a = Holder distance	Supports 1	Supports 2
3°	560 mm	SAK	SAM	3°	661 mm	SAK	SAM
5°	562 mm	SAK	SAM	5°	663 mm	SAK	SAL
8°	566 mm	SAK	SAL	8°	667 mm	SAK	SAL
10°	570 mm	SAK	S1	10°	671 mm	SAK	S1
15°	581 mm	SAK	S2	15°	685 mm	SAK	S2
20°	598 mm	SAK	S2	20°	705 mm	SAK	S2
25°	622 mm	SAK	S3	25°	732 mm	SAK	S3
30°	652 mm	SAK	S3	30°	768 mm	SAK	S3
35°	692 mm	SAK	S3				

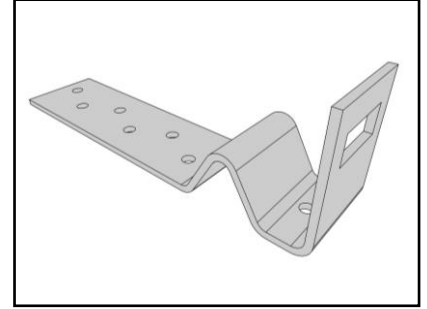
Components



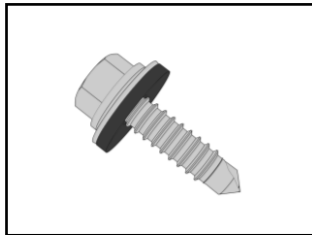
Supports: SAK, SAM and SAL



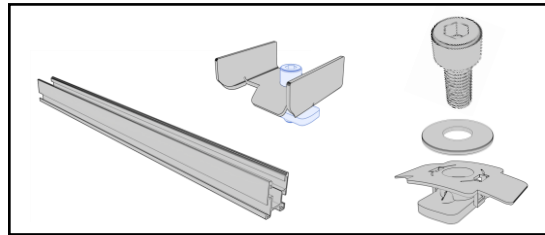
Telescopic support 1-3



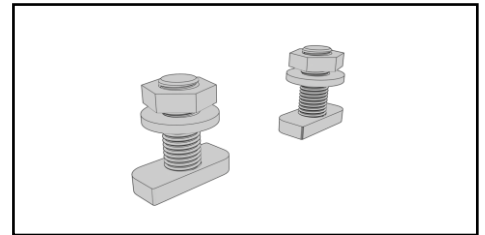
Eave to ridge bracket



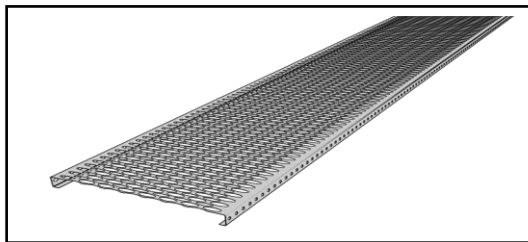
Thin sheet metal screw
 6,0x25 with sealing
 washer



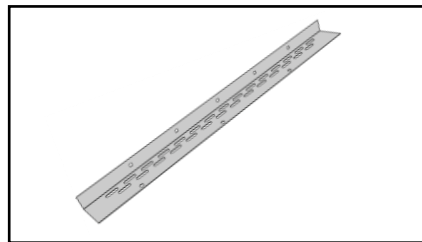
Support rail and grate clamp,
 insert nut with body washer \varnothing 30 mm and
 hexagon socket screw M8x25



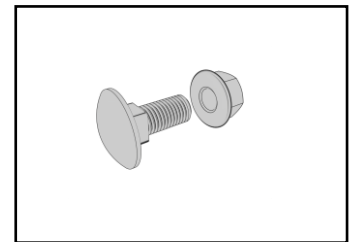
Fixing Set support at rail
 2 hammer head screws M10x25
 (Typ 28/15), washer and nut



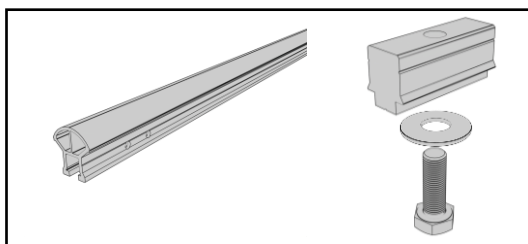
Grating 500 mm galvanized
 Grating 600 mm galvanized
 Grating 500 mm aluminium



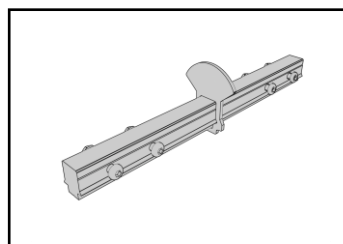
Screw-on angle



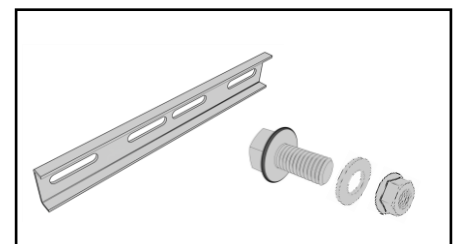
Truss-head screw
 M8x20 and washer



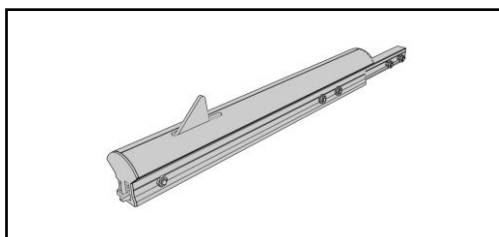
Stop rail
 Fixing nut with screw M10x25
 and body washer \varnothing 30 mm



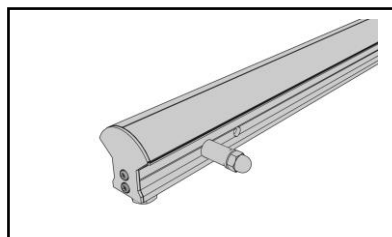
Longitudinal connector rail
 with 4 screws M6x30,
 washer and nuts



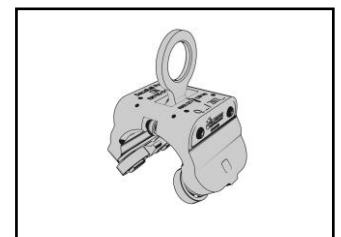
Longitudinal connector grating
 with 4 screws M8x20,
 washers and self- locking nuts



Tilt end stop with integrated rail connector

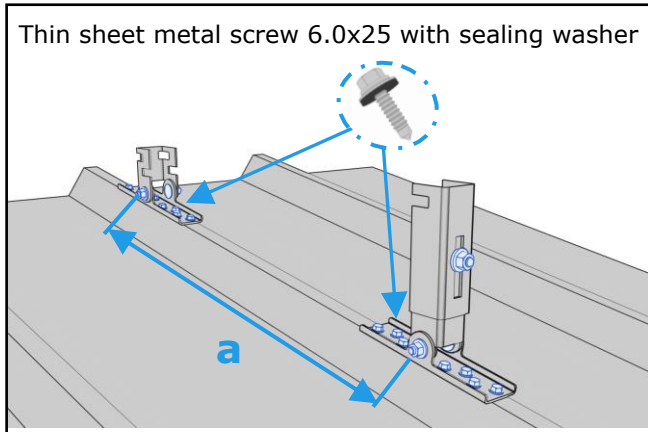


End stop with cover cap

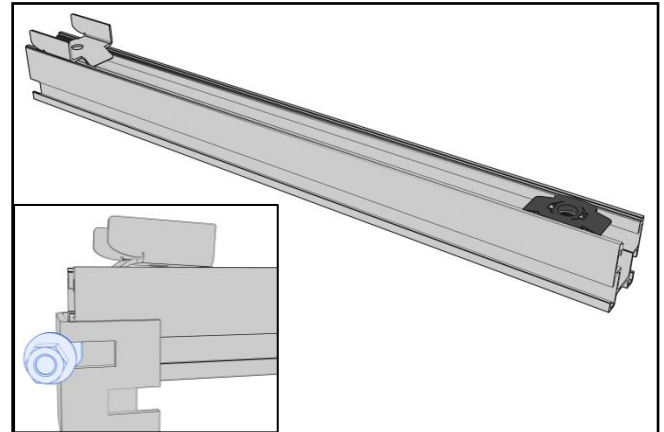


Trolley

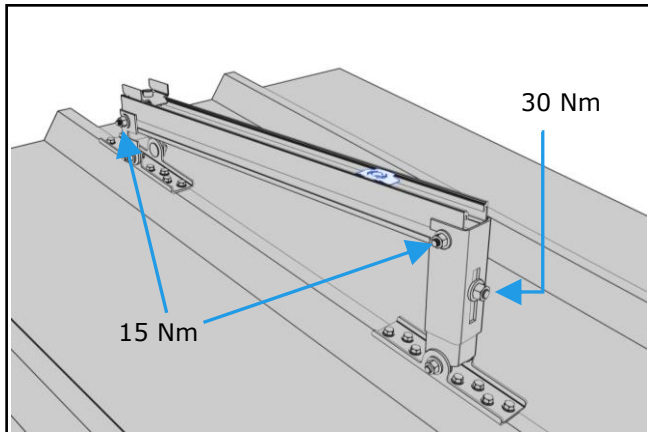
Montage



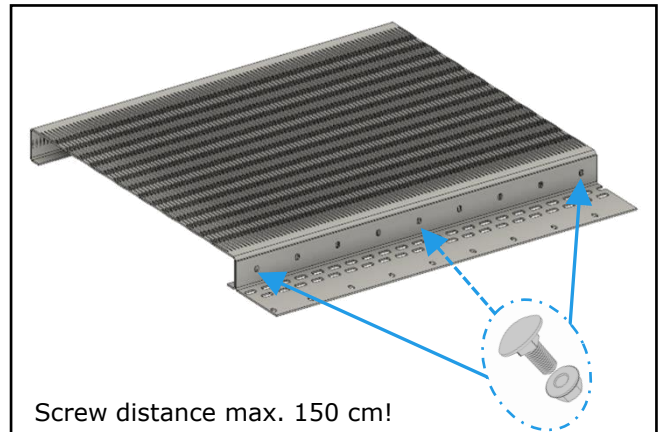
Thin sheet metal screw 6.0x25 with sealing washer
 For spacing of the holders, see table on page 2!
 Place the holder and fix it to the bead with 8 thin sheet metal screws each.



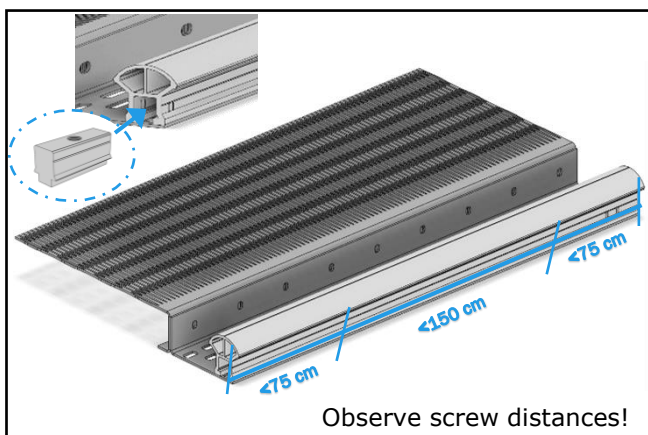
Slide the grate clamp into the support rail on the ridge side and the insert nut on the eaves side.
 Fasten the support rail to the supports on both sides with 2 hammerhead screws each (30 Nm).



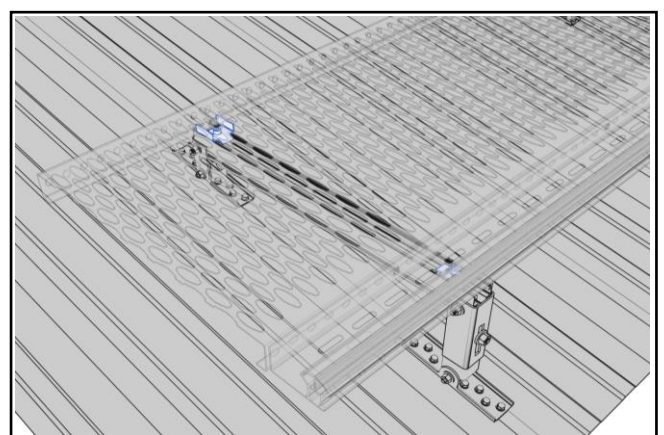
Align the support rail horizontally and tighten the remaining screws.



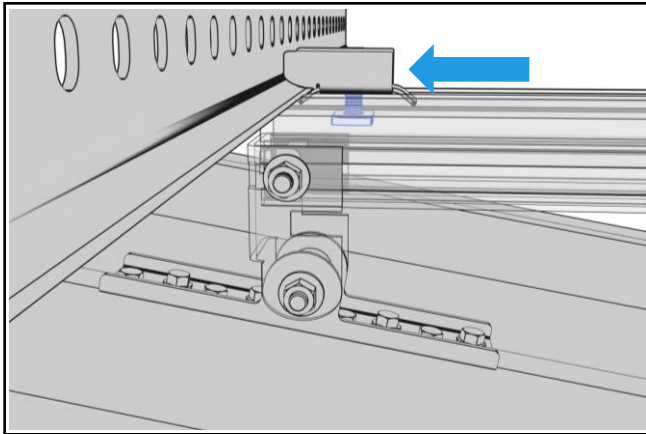
Fix the screw-on bracket to the garting with screws in the first and last hole (15 Nm). For a grate length > 180cm, an additional screw in the middle.



Push 2 fastening nuts into the stop rail.
 With an edge distance of max. 75 cm, fasten to the underside of the screw-on bracket with the M10x25 screws and body washers (30 Nm).



Place the prepared grate on the substructure.
 Make sure that the screw-on angle lies on the insert nuts.

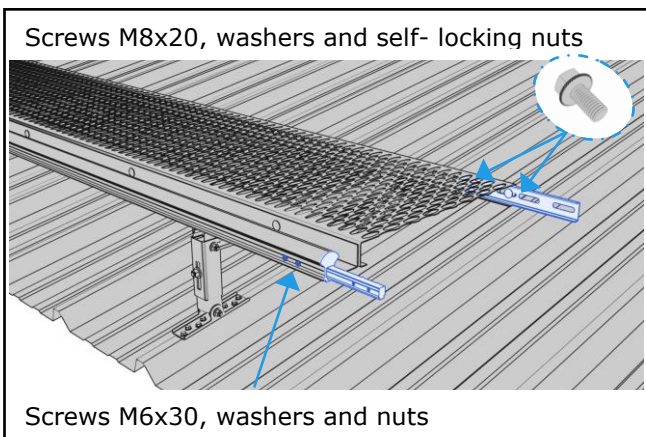


Push the grate clamps outwards over the back edge of the grate and tighten the screws (7 Nm).

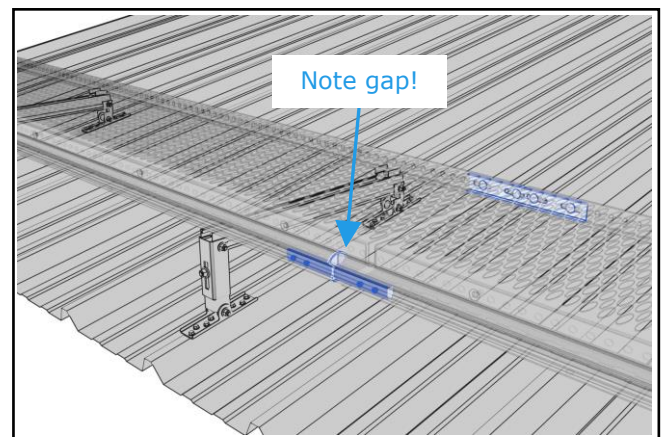


Hexagon socket screw M8x25 and body washer Ø 30 mm

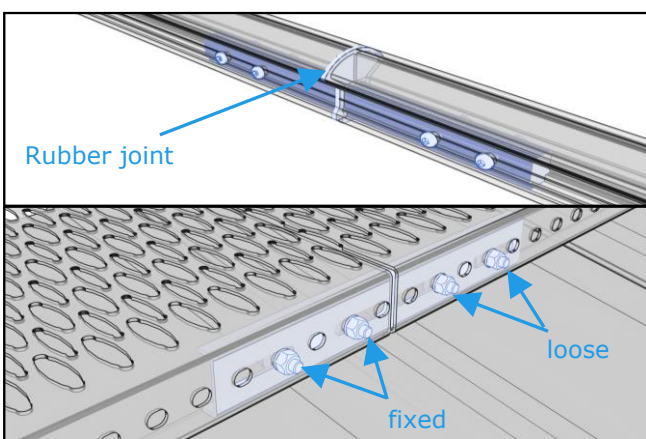
Fix the screw-on angle to the insert nuts with screws and body washers (15 Nm).



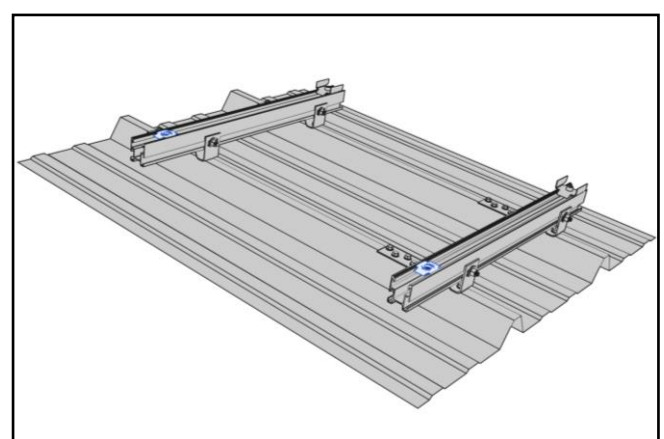
Push the rail longitudinal connector into the stop rail and fix it with 2 screws (7 Nm). Fix the longitudinal grate connector to the grate with 2 screws (15 Nm). 2 screws.



Place the prepared grate on the base and push it against the already mounted grate, leaving a gap 3 - 5 mm. Fix the grate with grate clamps and screws (see above).

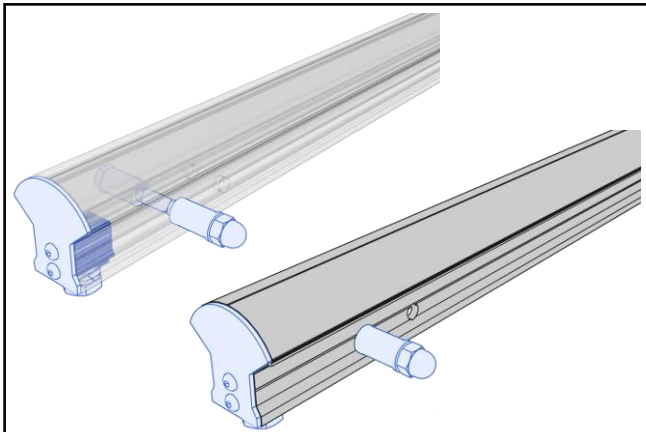


For the purpose of expansion, a rubber joint is inserted between the longitudinal connectors of the stop rails. For the purpose of expansion, the longitudinal connector of the grating is screwed fixedly on one side and loosely on the other.



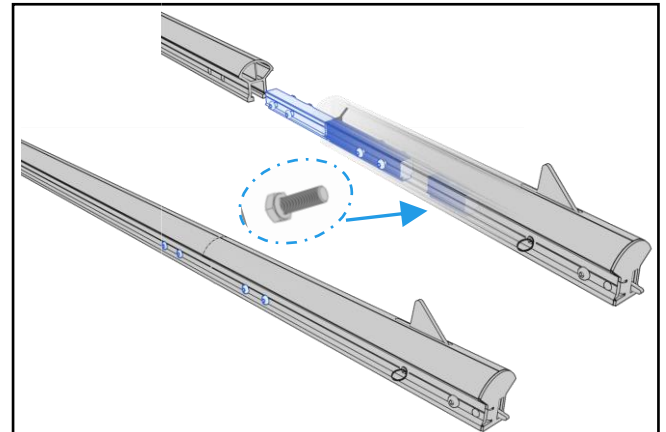
Orientation from **eaves to ridge**: Here, the support rails are mounted on the brackets at right angles to the beading. Make sure that the grate clamps and insert nuts are inserted in the same direction.

Mounting end stops



Fixed end stop version:

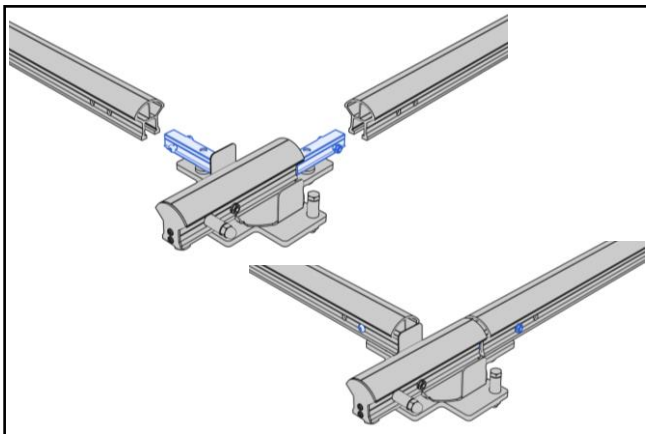
At the beginning and end of a run, drill through the rail with the drilling template, push the screws through and fix it with the sleeves on both sides. Put on the cover cap and fix it to the screw-on bracket with the screws.



Tilt end stop version:

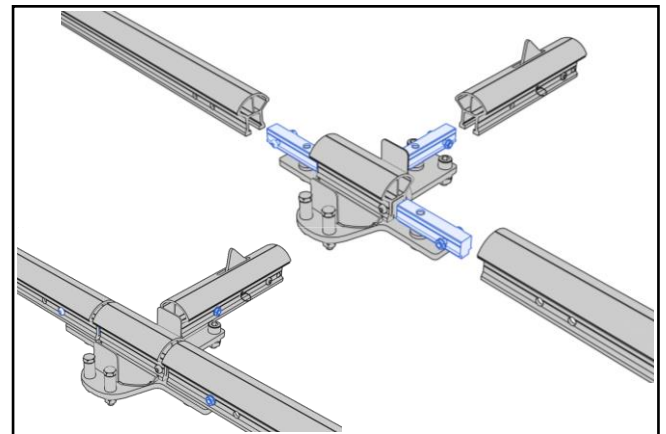
Shorten the stop rail by the length of the end stop (385 mm). Drill holes in the rail with the drilling template and fix the end stop to it with the screws. Secure the end stop to the screw-on bracket with the integrated fastening nut using a screw and body washer.

Mounting soft



Corner switch version:

Adjust the stop rails to the length of the turnout. Drill holes in the rails using the drilling template, thread the corner turnout into the rails and fasten it with the screws.



Entry switch version:

Adjust the stop rails to the length of the turnout. Drill holes in the rails using the drilling template, thread the corner turnout into the rails and fasten it with the screws.

Storage

The grates are made of aluminium or galvanised steel, the support structure is made of aluminium. In case of moisture ingress, the surfaces can oxidise and lose their shine or develop stains. This oxidation does not attack the metal itself, but forms a natural protective layer. The optical changes have no effect on the quality of the components and the maintenance path. We recommend that the components are stored in a dry and ventilated place, protected from moisture before installation.

Maintenance

ROOFWALK SAFE TRAPEZ must be inspected at intervals of max. 2 years. Particular attention should be paid to loose or deformed parts as well as corrosion.

If there are any concerns about the functionality of the walkway or railing, they must be inspected and, if necessary, serviced before the next time the roof is entered.

General safety instructions

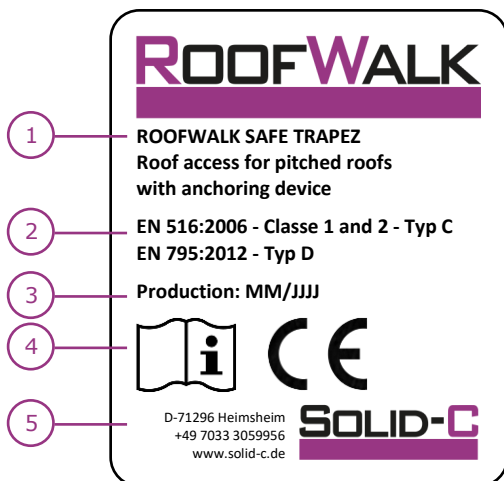
For the duration of the assembly, protection against falling must be provided, e.g. by means of an appropriate scaffold or anchoring devices. It must be ensured that the assembly is only carried out by instructed specialists in compliance with the specifications for carrying out work at the appropriate height.

Only undamaged original parts are to be used for assembly, and no changes may be made to them that impair their function or safety. If it is necessary to dismantle the catwalk, this must be done in reverse order to the assembly instructions.

Workplaces and traffic routes on the roof may only be accessed by persons who have been instructed for this work. Workplaces and traffic routes on the roof may only be accessed when they are free of snow and ice.

After a fall of a person as well as after an incorrect installation, the catwalk and the anchoring device may only be used again if it has been checked by a competent person and approved in writing for the intended use.

Marking



- 1 Product and type identification
- 2 Standard and classification
- 3 Year of manufacture and serial number
- 4 Note that instructions for use must be observed
- 5 Manufacturer

Disclaimer

The load-bearing capacity of the substrate must be checked by the customer. Solid-C cannot make any statements about this. In addition to these installation instructions, the installing company has to observe the valid regulations and rules of technology. Solid-C GmbH is not liable for the dimensioning instructions contained in commercial offers, since it is generally not possible to agree on all technical framework conditions within the scope of tender submissions. The installation company is responsible for the mechanical durability of the mounted products to the building envelope, especially for their tightness. The components of Solid-C GmbH are designed for this purpose according to the expected loads and the valid state of the art. Solid-C GmbH does not assume any liability for damages caused by improper installation.