

## System description

GARDCO ATT-S is a parapet-mounted railing system for protecting flat roofs that are not accessible to the public against falling.

It is secured using brackets that are attached to the side of the parapet. For non-insulated parapets, the brackets can be screwed directly to the inside or outside of the parapet. For insulated parapets, there are adapters for bridging the thermal insulation. This eliminates the need for cantilevers that protrude into the roof surface, which could hinder the installation of photovoltaic systems, for example.

GARDCO ATT-S14 is tested in accordance with DIN ISO 14122-3 (maximum support spacing 1.50 m) and GARDCO ATT-S13 is tested in accordance with DIN EN 13374 Class A (maximum support spacing 2.50 m).

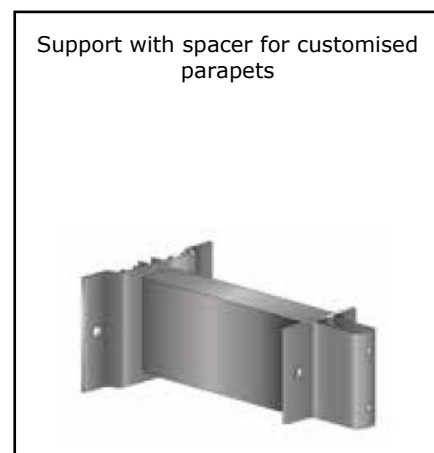
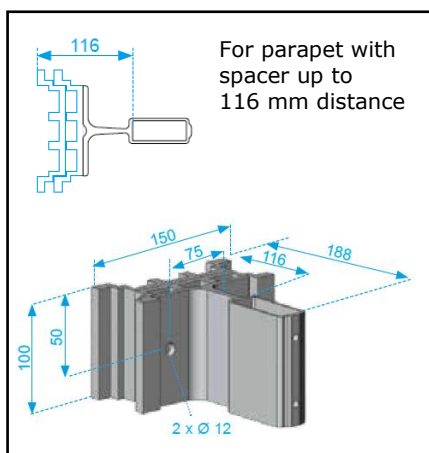
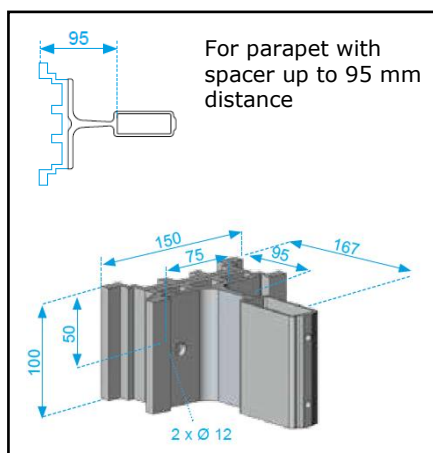
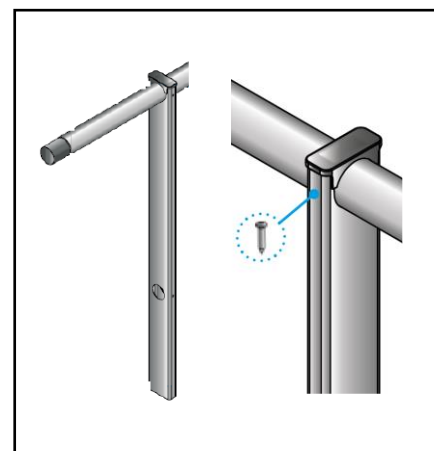
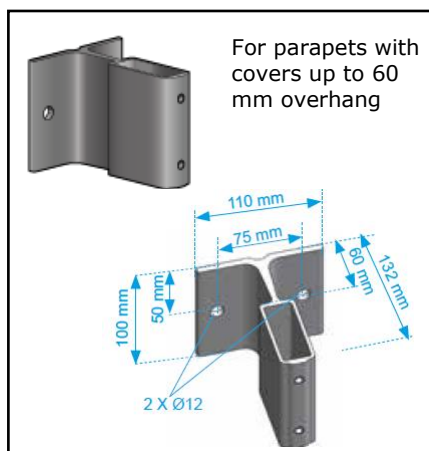
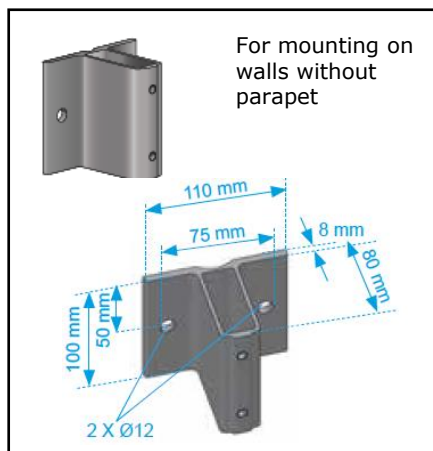


The advantages of GARDCO ATT-S:

- No outriggers on the roof surface
- Also very suitable for high parapets, here without additional kneerail
- Different variants for overhanging parapet cover or insulation



**Variants:**



**Attention: Observe during planning and installation:**

Minimum height of the parapet 120 mm without cover, 160 mm with cover.  
The height of the handrail must be 1.10 m above the decking level.

**Fasteners on site!**

GARDCO ATT-S is available with different post variants such as straight, curved or bent as well as hinged railings. The post height can be reduced for particularly high parapets.  
The railing can also be colour-coated to blend in with the visual appearance of the building.

We would be happy to advise you on this and look forward to hearing from you.