

System description

GARDCO ATT-Z is a parapet-mounted guardrail system for protecting flat roofs that are not accessible to the public against falling.

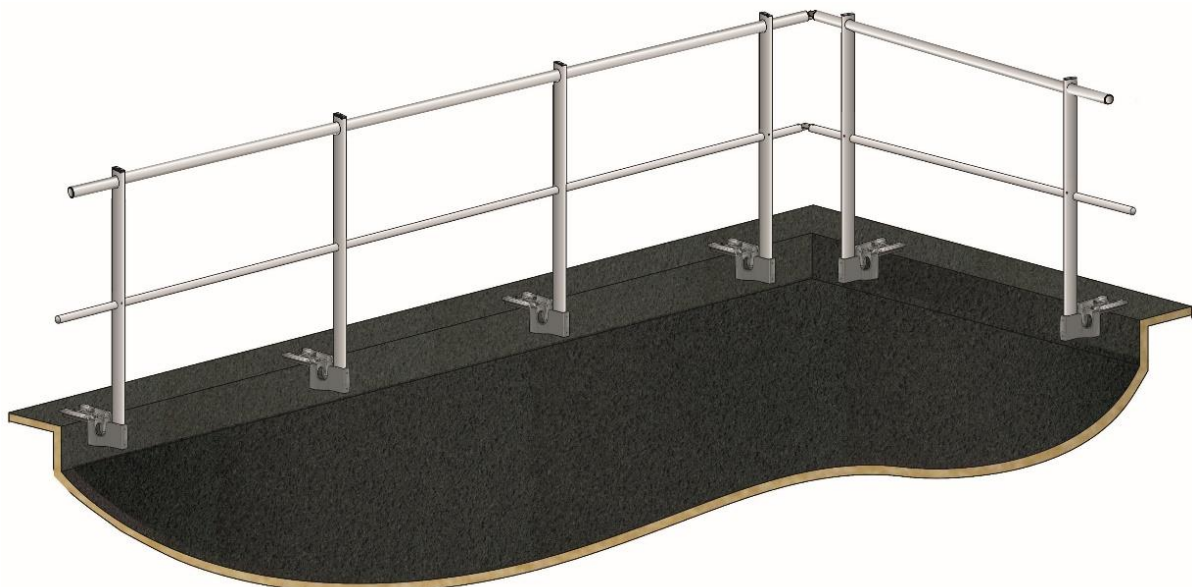
It is attached using brackets that are anchored under the parapet cover on the top of the parapet. The special brackets can bridge up to 160 mm of internal thermal insulation. This eliminates the need for cantilevers that protrude into the roof surface and obstruct the installation of photovoltaic systems, for example.

GARDCO ATT-Z is tested in accordance with DIN ISO 14122-3 and DIN EN 13374 Class.

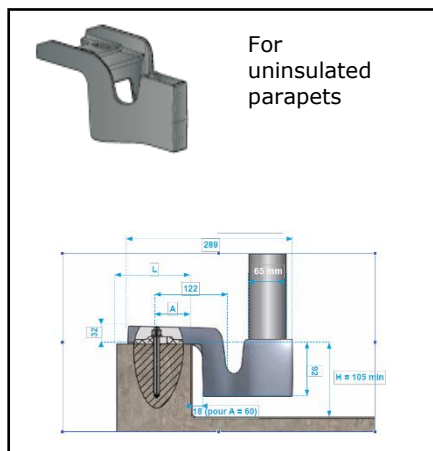


The advantages of GARDCO ATT-Z:

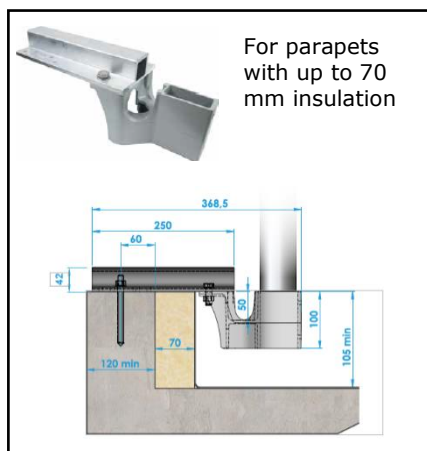
- No outriggers on the roof surface
- For parapets from 105 mm height
- Pre-assembled system for quick installation
- Maximum support spacing 2,50 m
- Different base elements for non- insulated or insulated parapets



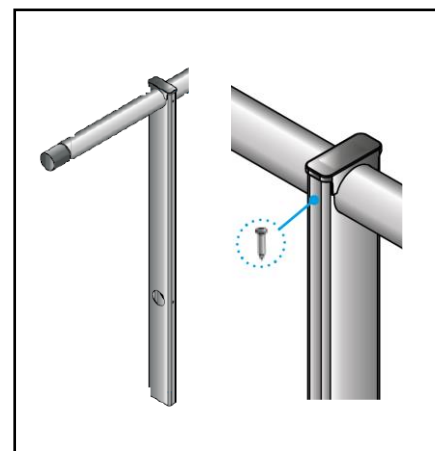
Versions:



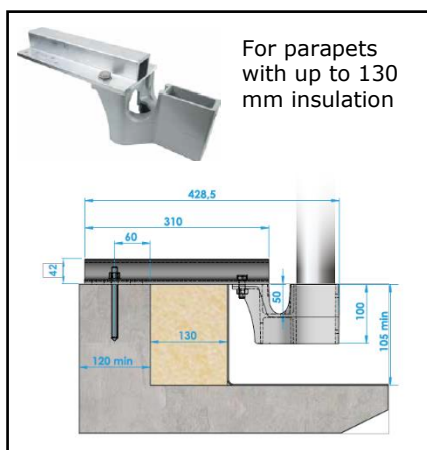
For
uninsulated
parapets



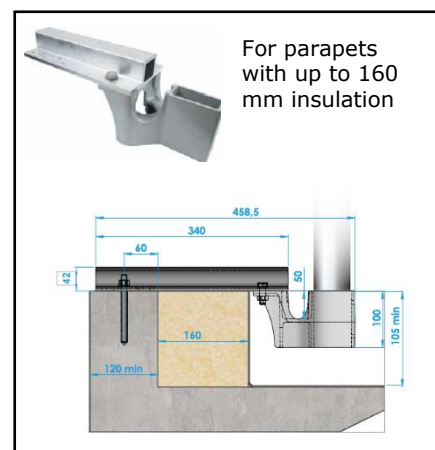
For parapets
with up to 70
mm insulation



For parapets
with up to 100
mm insulation



For parapets
with up to 130
mm insulation

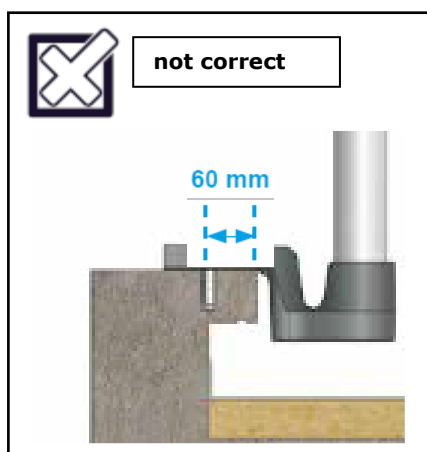


For parapets
with up to 160
mm insulation

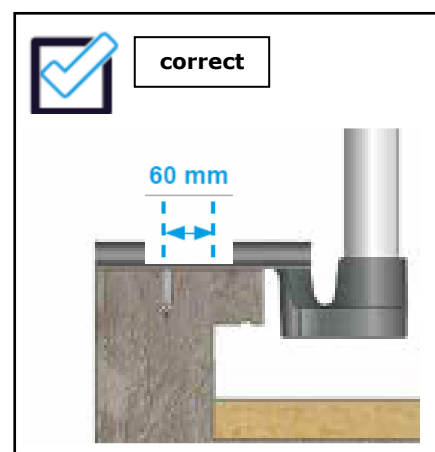
**Attention: When planning
and installation:**

Fastenings in concrete with
the least 60 mm
edge distance.

Fasteners on site!



not correct



correct

GARDCO ATT-Z is available with different post variants such as straight, curved or bent as well as folding railings. The railing can also be colour-coated to blend in with the visual appearance of the building.

We would be happy to advise you on this and look forward to hearing from you.