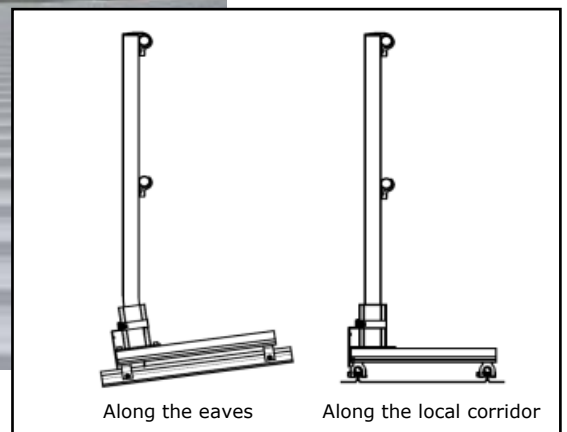


## System description

Guardrails at fall edges provide safe and collective protection against falling. They protect people on the roof and at the same time give them maximum freedom of movement, as there is no need to wear a PSgA inside a guardrail. This makes installation, maintenance and inspection work easier.

With GARDCO SEAM, you can secure your roofs in this way. GARDCO SEAM is attached to the seam with the CF:x seam clamps without penetration. With the wide range of CF:x clamps, there is a fastening solution for almost all profile and seam types. The roof pitch can be equalised along the eaves with inclined posts.

GARDCO SEAM is tested in accordance with EN 13374.



## The advantages of GARDCO SEAM

- Protection against falling along the eaves and verge on metal roofs
- Post distances of up to 2.0 m
- Can be used with CF:x clamps on almost all profiles and seam coverings
- Quick installation
- Made of aluminium. Not susceptible to corrosion

## ROOFWALK – Safe routes on the roof

Supplement GARDCO SEAM with ROOFWALK maintenance walkways. With ROOFWALK, you can create non-slip paths and access to the places where inspection and maintenance work needs to be carried out.

We would be happy to advise you on this and look forward to hearing from you. Supplement GARDCO SEAM with ROOFWALK maintenance walkways. With ROOFWALK, you can create non-slip paths and access to the places where inspection and maintenance work needs to be carried out.

We would be happy to advise you on this and look forward to hearing from you.