

## System description

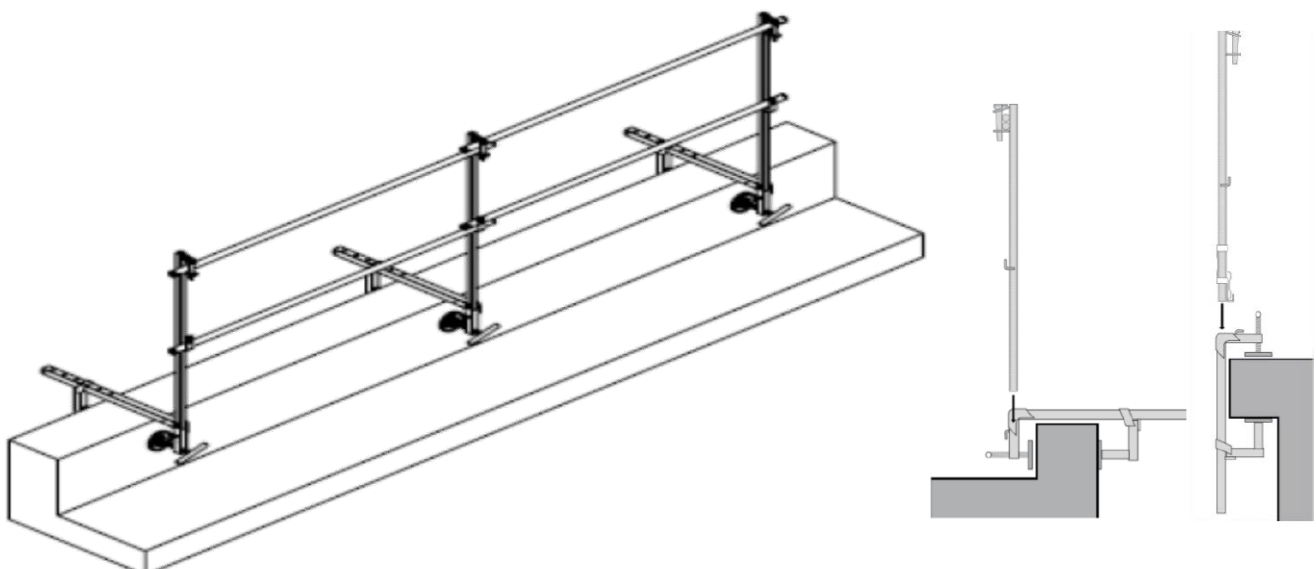
GARDCO TEMP is a temporary side guardrail that protects against falls during construction and renovation work on flat roofs with a pitch of up to 10°. Once the work has been completed, it can be dismantled and reused on the next construction site.

The guardrail is tested in accordance with DIN EN 13374.



Quick and easy to install:

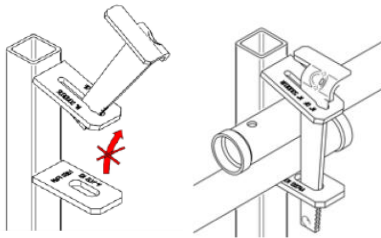
- No anchors required thanks to clamping mechanism
- Can be used on parapets or projecting concrete ceilings
- Supplied in practical metal boxest hat are suitable for forklift or crane transport
- GARDCO TEMP is dismantled after completion of the work and stored neatly in the mesh boxes until the next use



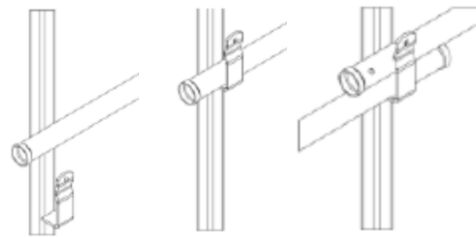
**Technical data:**

- Post height 1,10 m
- Post spacing max. 2,50 m
- All elements made of galvanised steel
- Easy insertion of the tubes into the holders provided
- For parapets from 100 to 460 mm

**Handrail**



**Kneerail**



**GARDCO TEMP 60**  
60 running metre in a mesh box



Weight: 250 kg  
Size: 2700x883x947 mm  
Contents: 24 clamps  
24 posts  
48 tubes 2700 mm length

**GARDCO TEMP 125**  
125 running metre in a mesh box



Weight: 440 kg + 430 kg  
Size: 830x1200x1043 mm  
2778x420x540 mm  
Contents: 50 clamps  
50 posts  
100 tubes 2700 mm length  
4 tubes 1650 mm length

**Please note:**

The local conditions and the suitability of the parapet or roof edge must be checked in advance. Installation may only be carried out by a trained person wearing PPE. Please observe the installation and usage instructions. The system is designed for repeated use. Nevertheless, it is essential to check all parts for damage before each use. Damaged parts must be replaced. We would be happy to advise you on this and look forward to hearing from you. The local conditions and the suitability of the parapet or roof edge must be checked in advance. Installation may only be carried out by a trained person wearing PPE. Please observe the installation and usage instructions. The system is designed for repeated use. Nevertheless, it is essential to check all parts for damage before each use. Damaged parts must be replaced.

We would be happy to advise you on this and look forward to hearing from you.